

# Archgard

FIREPLACES

## INSTALLATION, OPERATION, AND MAINTENANCE MANUAL



### Optima 45

MODEL: 45-DVFE28LN-1  
GAS FIRED DIRECT VENT FIREPLACE  
S/N 450238 AND UP

This appliance may be installed in an aftermarket permanently located, manufactured home (USA only) or mobile home where not prohibited by local codes.

This appliance is only for use with the type of gas indicated on the rating plate. This appliance is not convertible for use with other gases, unless a certified kit is used.



**WARNING:**

**FIRE OR EXPLOSION HAZARD**

Failure to follow safety warnings exactly could result in serious injury, death, or property damage.

- Do not store or use gasoline or other flammable vapors or liquids in the vicinity of this or any other appliance.

**- WHAT TO DO IF YOU SMELL GAS:**

- Do not try to light any appliance
- Do not touch any electrical switch; do not use any phone in your building
- Leave the building immediately
- Immediately call your gas supplier from a neighbor's phone. Follow the gas suppliers instructions
- If you can not reach your gas supplier, call the fire department

- Installation and service must be performed by a qualified installer, service agency or the gas supplier.

English and French Installation Manuals available through your local dealer or visit our website at: [www.archgard.com](http://www.archgard.com)  
Les manuels d'installation en anglais et en français son disponibles chez votre détaillant local ou en visitant notre site web: [www.archgard.com](http://www.archgard.com)



## DANGER



**HOT GLASS WILL CAUSE BURNS.**

**DO NOT TOUCH GLASS UNTIL COOLED.**

**NEVER ALLOW CHILDREN TO TOUCH GLASS.**

A barrier designed to reduce the risk of burns from the hot viewing glass is provided with this appliance and must be installed for the protection of children and other at-risk individuals.

NATIONAL FIREPLACE INSTITUTE



CERTIFIED  
[www.nficertified.org](http://www.nficertified.org)

We recommend that our gas hearth products be installed and serviced by professionals who are certified in the U.S. by the National Fireplace Institute® (NFI) as NFI Gas Specialists.

**INSTALLER:**

LEAVE THIS MANUAL WITH THE APPLIANCE.

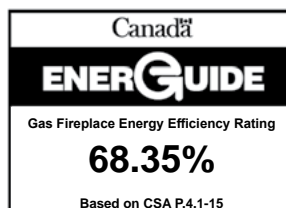
**CONSUMER:**

RETAIN THIS MANUAL FOR FUTURE REFERENCE.

**ARCHGARD FIREPLACE PRODUCTS**

7116 Beatty Drive

Mission, BC V2V 6B4 Canada



200-0018-03  
February 15, 2023

# TABLE OF CONTENTS

|   |    |  |    |
|---|----|--|----|
| <b>1.0 Introduction</b> .....                 | 3  | <b>15.0 Firebox Liner Installation</b> ..... | 31 |
| <b>2.0 Safety Information</b> .....           | 4  | 15.1 Brick Panel Installation.....           | 31 |
| <b>3.0 Technical Information</b> .....        | 5  | 15.2 Reflective Glass Installation.....      | 33 |
| 3.1 Appliance Certification.....              | 5  | <b>16.0 Log Set Installation</b> .....       | 35 |
| 3.2 Installation Codes.....                   | 5  | <b>17.0 Operation</b> .....                  | 39 |
| 3.3 Specifications.....                       | 5  | 17.1 Before Lighting.....                    | 39 |
| 3.4 High Altitude Installation.....           | 5  | 17.2 First Fire.....                         | 39 |
| <b>4.0 Rating Label</b> .....                 | 6  | 17.3 Lighting Instructions.....              | 40 |
| <b>5.0 Installation Checklist</b> .....       | 7  | 17.4 Dynamic Start Advantage.....            | 41 |
| <b>6.0 Appliance Overview</b> .....           | 8  | 17.5 Remote Control Operation.....           | 42 |
| 6.1 Appliance Overview.....                   | 8  | <b>18.0 Maintenance</b> .....                | 48 |
| 6.2 Barrier Screen.....                       | 9  | 18.1 Cleaning and Routine Maintenance.....   | 48 |
| 6.3 Glass Door Installation.....              | 10 | 18.2 Servicing Under Warranty.....           | 49 |
| 6.4 Accessing The Controls.....               | 11 | 18.3 Checking Inlet and Outlet Pressure..... | 49 |
| 6.5 Rating Label Location.....                | 11 | 18.4 Checking and Adjusting Pilot.....       | 49 |
| <b>7.0 Electrical Connections</b> .....       | 12 | 18.5 Adjusting the Primary Air.....          | 50 |
| <b>8.0 Fireplace Dimensions</b> .....         | 13 | 18.6 Replacing Batteries.....                | 51 |
| <b>9.0 Prepare The Fireplace</b> .....        | 14 | 18.7 Replacing Fuse.....                     | 51 |
| 9.1 Installation Overview.....                | 14 | 18.8 Replacing the Control Board.....        | 52 |
| <b>10.0 Venting Instructions</b> .....        | 15 | 18.9 Wiring Schematic.....                   | 53 |
| 10.1 Archgard Venting Components.....         | 16 | 18.10 Removing the Baffle.....               | 54 |
| 10.2 Vent Run Guide.....                      | 17 | 18.11 Removing the Burner Surround.....      | 55 |
| 10.3 Third Party Venting Components.....      | 18 | 18.12 Replacing the Burner.....              | 56 |
| 10.4 Termination Location Clearances.....     | 20 | 18.13 Replacing the Pilot.....               | 57 |
| 10.5 Snorkel Termination Installation.....    | 22 | 18.14 Replacing the Gas Valve.....           | 58 |
| <b>11.0 Framing</b> .....                     | 23 | 18.15 Replacing the Fan.....                 | 60 |
| 11.1 Ventilation Framing.....                 | 23 | 18.16 Replacing the Grills.....              | 62 |
| <b>12.0 Clearances to Combustibles</b> .....  | 25 | 18.17 Troubleshooting.....                   | 63 |
| 12.1 Ceiling Clearance.....                   | 25 | <b>19.0 Frequently Asked Questions</b> ..... | 64 |
| 12.2 Sidewall Clearances.....                 | 26 | <b>20.0 Replacement Parts List</b> .....     | 65 |
| 12.3 Corner Installation Clearances.....      | 26 |  |    |
| <b>13.0 Gas Connections</b> .....             | 27 |  |    |
| 13.1 Clocking Procedure.....                  | 27 |  |    |
| 13.2 Supplying Gas.....                       | 28 |  |    |
| <b>14.0 Conversion Kit Instructions</b> ..... | 29 |  |    |
| 14.1 Prepare the Fireplace.....               | 29 |  |    |
| 14.2 Pilot Conversion.....                    | 29 |  |    |
| 14.3 Convert the Gas Valve.....               | 30 |  |    |
| 14.4 Complete the Conversion.....             | 30 |  |    |

# General Information

## 1.0 Introduction

Thank You and Congratulations for choosing an Archgard Gas Fireplace!

Optima (OP-te-MAH) - plural form of optimum, a condition that produces the best possible result.

The Optima 45 is one of the most advanced Direct Vent heaters available today. It is solidly designed using the latest technology and manufactured to the highest quality. It is our aim to provide you with an appliance that brings many trouble-free years of reliable service. The information in this manual provides information regarding model number 45-DVFE28LN-1.

Some of the many features of your **45-DVFE28LN-1** are:

- **Heater Classification** This fireplace is classified as a heating appliance. Therefore, it uses Direct Vent safety technology and it is suitable for continuously operated zone heating.
- **High Efficiency** This fireplace has one of the highest efficiencies of any Direct Vent gas fireplace heaters, ensuring it is less expensive to operate.
- **Adjustable Fan Speed** This fireplace comes complete with an adjustable six speed circulation fan controlled with the remote.
- **Adjustable Flame** This fireplace provides the ability to adjust the flame aesthetics and heat output to suit the owner's liking and heating needs.
- **Solid Construction** This fireplace is mainly constructed of 16 and 18 gauge galvanized and aluminized coated steel for long life and durability.
- **Optional Accessories** Speak with your local Authorized Archgard Dealer for a full complement of decorative accessories to suit your home's decor and personal tastes.
- **Electronic Control System** This fireplace comes standard with the Dynamic Start Advantage. This new electronic ignition system is the latest in fireplace technology. It helps to create a better draft, better flame appearance, less condensation on the glass, and years of carefree operation. See **Section 17.4** for complete explanation of how the system works.
- **Multiple Electronic Pilot Settings** This fireplace uses a gas control valve that is operated by a Multifunction Remote Control. It can be set up as either an Intermittent Pilot Ignition (IPI) system, or Continuous Pilot on Demand Ignition (CPI) system (also known as a Pilot on Demand (POD)).

### Model Number Definition (45-DVFE28LN-1)

|           |  |
|-----------|--|
| <b>45</b> | Unique number designating angled corners on the fireplace as a means of identification |
| <b>DV</b> | Direct Vent  |
| <b>F</b>  | Freestanding Fireplace   |
| <b>E</b>  | Electronic Ignition  |
| <b>28</b> | Natural Gas Input Rating in BTU  |
| <b>L</b>  | Traditional Log Set  |
| <b>N</b>  | Natural Gas (optional propane conversion kit available)                                |
| <b>-1</b> | Revision Number  |

### CPI vs IPI:

**Continuous Pilot on Demand Ignition (CPI):** In this mode the pilot runs continuously even when the main burner is off. The Continuous Pilot on Demand Ignition operates on a seven day cycle. If the main burner is not turned on for seven continuous days, the pilot will turn itself off. When the main burner is lit again the cycle repeats. The pilot will remain lit for seven days, even after the main burner is turned off. If the main burner is lit during a seven day timing cycle, the seven day timer will reset.

**Intermittent Pilot Ignition (IPI):** A fuel saving mode in which the pilot is only used when the main burner is on.

This appliance is shipped in IPI mode. IPI mode is often the preferred method, however, there are some situations where it may be preferable to switch the fireplace into CPI mode. For example, in colder climates the glass door or the front of the fireplace could become very cold to the touch. Dynamic Start Advantage will solve most problems experienced by older IPI operated fireplaces.

Please complete and submit the warranty registration card included in the back of this manual or by visiting us at:  
[www.archgard.com/warranty-registration](http://www.archgard.com/warranty-registration)



# General Information

## 2.0 Safety Information

### Caution

**FOR YOUR SAFETY** - Do not install or operate your **45-DVFE28LN-1** without reading and understanding this manual. Any installation or operational deviation from this instruction manual voids the warranty and may prove hazardous.

- This appliance must be installed by a qualified gas installer and the installation must conform to the installation codes
- Provide adequate clearance around air openings into combustion chamber
- Never obstruct front openings
- Provide adequate clearances for proper operation and servicing of the appliance
- This appliance must be properly connected to an approved venting system and must not be connected to a chimney flue serving a separate solid fuel burning appliance
- Flow of combustion and ventilation air must not be obstructed - always provide adequate combustion and ventilation air
- Always provide adequate clearance around the intake and exhaust openings

### Safety

- Due to high temperatures, the appliance should be located out of traffic and away from furniture and draperies
- Children and adults should be alerted to the hazards of high surface temperature and stay away to avoid burns or clothing ignition
- Young children should be carefully supervised when they are in the same room as the appliance. Toddlers, young children and others may be susceptible to accidental contact burns. A physical barrier is recommended if there are at risk individuals in the house. To restrict access to a fireplace or stove, install an adjustable safety gate to keep toddlers, young children and other at risk individuals out of the room and away from hot surfaces
- Do not store or place combustibles, gasoline, and other flammable vapors and liquids near the appliance
- Clothing or other flammable material should not be placed on or near the appliance
- **WARNING:** Do not operate appliance with the glass front removed, cracked, or broken. Removal of the glass should be done by a licensed or qualified service person. Do not to strike or slam the glass
- Any safety screen or guard removed for servicing an appliance must be replaced prior to operating
- Installation and Repair should be done by a qualified service person. The appliance should be inspected before use and at least annually by a professional service person. More frequent cleaning may be required due to excessive lint from carpeting, bedding materials, etc. It is imperative that the control compartments, burners and circulating air passageways of the appliance are kept clean
- Under no circumstances should any solid fuel (wood, coal, paper or cardboard, etc.) be used in this appliance
- Keep burner and control compartment clean
- Do not use this appliance if any part has been under water. Immediately call a qualified service technician to inspect the appliance and to replace any part of the control system and any gas control which has been under water
- **California Proposition 65 Warning:** This product can expose you to chemicals including Carbon Monoxide, that is an externally vented by-product of fuel combustion, which is [are] known to the State of California to cause cancer, birth defects, or other reproductive harm. For more information, visit [www.P65Warnings.ca.gov](http://www.P65Warnings.ca.gov).

Each Archgard Gas Fireplace is checked and tested at the factory prior to being packaged and shipped to our dealers and finally installed in your home. Before leaving this unit with the customer, the installer must ensure that the appliance is firing correctly and that the electrical system is in working order. The Installation Checklist in **Section 5.0** should be used to ensure the proper installation of this gas fireplace heater and to document any deviations from a typical install.

**Any alteration to the product that causes carbon or soot deposits that results in any damage or requires cleaning is not the responsibility of the manufacturer.**

# General Information

## 3.0 Technical Information

### 3.1 Appliance Certification

This appliance was listed by QAI Laboratories Inc to the following USA and Canadian gas appliance standards.

- ANSI Z21.88-2019 / CSA 2.33-2019 Vented Gas Fireplace Heaters
  - CSA-2.17-2017, Gas-Fired Appliances for Use at High Altitudes
  - CSA P.4.1-15 testing method for measuring annual fireplace efficiency.
  - CSA C22.2 No.3 - M1998(R.2014) - Electrical Features of Fuel-Burning Equipment
- The listing label is attached to the appliance on the bottom right side of the appliance.  
A copy is shown on **Section 4.0**.

**Commonwealth of Massachusetts:** This appliance has been manufactured in accordance with Massachusetts code 248 CMR 5.00. Approval Code: G1-1220-151. ([https://licensing.reg.state.ma.us/pubLic/pl\\_products/pb\\_pre\\_form.asp](https://licensing.reg.state.ma.us/pubLic/pl_products/pb_pre_form.asp)).

Please contact **Archgard Industries Ltd.**, if you have any questions regarding the certification of this appliance.

### 3.2 Installation Codes

This appliance must be installed by a qualified gas appliance installer. The installation must conform with the local codes or, in the absence of local codes, with the current National Fuel Gas Code ANSI Z223.1/ NFPA 54 in the US, or Installation Code CAN/CGA-B149.1 in Canada. Electrical connections and grounding must conform with local code, or current National Electrical code ANSI/NFPA No. 70-1987 in the US, and in Canada the current Canadian Electrical Code CSA C22.1.

**We recommend that our gas hearth products be installed and serviced by professionals who are certified in the U.S. by the National Fireplace Institute® (NFI) as NFI Gas Specialists.**

### 3.3 Specifications

|                                      | Natural Gas (NG)  | Propane (LP)                           |
|--------------------------------------|---|--|
| <b>Manifold Pressure</b>             | 1.6 - 3.5 in. W.C. (0.39 - 0.87 kPa)  | 6.4 - 10.0 in. W.C. (1.59 - 2.49 kPa)  |
| <b>Min. Supply Pressure</b>          | 5.0 in. W.C. (1.2 kPa)  | 11.0 in. W.C. (2.9 kPa)                |
| <b>Max Supply Pressure</b>           | 14.0 in. W.C. (3.5 kPa)   | 14.0 in. W.C. (3.5 kPa)                |
| <b>Orifice Size</b>                  | #38 DMS (2.59 mm dia.)  | #52 DMS (1.60 mm dia.)                 |
| <b>Input Rating</b>                  | 18,750 - 28,000 BTU/h (5.5 - 8.2 kWh)                                       | 19,600 - 28,000 BTU/h (5.74 - 8.2 kWh) |
| <b>P.4 Fireplace Efficiency (FE)</b> | 68.35%  |  |
| <b>P.4 Steady State Efficiency</b>   | 71.40%  |  |
| <b>Electrical Rating</b>             | 120 VAC, 60Hz less than 2 A.  |  |
| <b>Gas Control</b>                   | SIT 885 Proflame II Dynamic Start Advantage with Continuous Pilot on Demand |  |
| <b>Altitude</b>                      | 0 - 4,500 ft. (0 - 1,372 M)   |  |
| <b>Primary Air Opening</b>           | 3/16" (5 mm) Open   | 3/8" (9 mm) Open                       |


### 3.4 High Altitude Installation

When installing this appliance beyond 4500 ft. (1372 M) above sea level, the appliance must be properly derated and installed according to local codes, in the absence of local codes, with the current National Fuel Gas Code, ANSI Z223.1/ NFPA 54, in the US or Installation Code, CAN/CGA-B149.1, in Canada.

# General Information

## 4.0 Rating Label

DO NOT REMOVE THIS LABEL



**MODEL: 45-DVFE28LN-1** (SIT 885 Proflame)

LISTED VENTED GAS FIREPLACE HEATER and GAS-FIRED APPLIANCES FOR USE AT HIGH ALTITUDES. Tested to: ANSI Z21.88-2019 / CSA 2.33-2019, CSA 2.17-2017, and CSA P.4.1-15. This vented gas fireplace heater is not for use with air filters. Certified for use in both CANADA and USA.

VENTED GAS FIREPLACE HEATER-NOT FOR USE WITH SOLID FUEL.  
Manufactured as Natural Gas.

|   | NG   | LPG                                       |
|---|--|---|
| Input rating  | 18,750 - 28,000 BTU/h<br>(5.5 - 8.2 kWh)   | 19,600 - 28,000 BTU/h<br>(5.74 - 8.2 kWh) |
| Manifold Pressure   | 1.6 - 3.5 in. W.C.<br>(0.39 - 0.87 kPa)  | 6.4 - 10.0 in. W.C.<br>(1.59 - 2.49 kPa)  |
| Orifice size  | #38 DMS (2.59 mm dia.)   | #52 DMS (1.60 mm dia.)                    |
| Minimum supply pressure for purpose of input adjustment.  | 5.0 - 14.0 in. W.C.<br>(1.2 - 3.5 kPa)   | 11.0 - 14.0 in. W.C.<br>(2.9 - 3.5 kPa)   |
| Burner Primary Air Setting  | 3/16" (5 mm) Open  | 3/8" (9 mm) Open                          |
| Altitude  | 0 - 4500 ft (0 - 1372 m)   | 0 - 4500 ft (0 - 1372 m)                  |
| Gas Control   | SIT 885 Proflame II Dynamic Start with Continuous POD  |   |
| Electrical rating   | 120 VAC, 60 Hz, less than 2 A.   |   |
| P.4.1 Fireplace Efficiency (FE)   | 68.35%   |   |
| Replacement fan   | Part # RF-305-0024 fan / blower assembly must be used  |   |
| Keep burner and control compartment clean. See Instructions accompanying the heater.<br><br>Optional fuel conversion kit : See Manual | Minimum clearances to combustibles:<br>Sides: 11" (28 cm)<br>Back: 4" (10.2 cm)<br>Corner: 4" (10.2 cm)<br>Ceiling: 24" (60.96 cm) from the top of the appliance.<br>Venting: Sides & Bottom - 1" (2.5 cm), Top - 2" (5 cm)<br>See Manual for additional dimensions and clearances |   |

This appliance must be installed in accordance with local codes, if any; if none, follow the National Fuel Gas Code, ANSI Z223.1/NFPA 54, or Natural Gas and Propane Installation Codes, CSA B149.1. Electrical connections and grounding must be in accordance with local codes, if any; if none, follow the current CAN/CSA C22.1 in Canada and ANSI/NFPA 70 in the US. This appliance is certified for installation in a bedroom or a bed sitting room. This appliance is only for use with the gas indicated on the rating plate and may be installed in an aftermarket, permanently located, manufactured (mobile) home where not prohibited by local codes. See owner's manual for details. This appliance is not convertible with other gases, unless a certified kit is used.

**WARNING:** Improper installation, adjustment, alteration, service, or maintenance can cause injury or property damage. Refer to the owner's information manual provided with this appliance. For assistance or additional information consult a qualified installer, service agency, or the gas supplier. This appliance must be properly connected to a Direct Vent venting system in accordance with the manufacturer's installation instructions.

**WARNING:** Failure to install this appliance per the manufacturer's instructions or failure to use only parts specifically approved with this appliance may result in property damage or personal injury.

**WARNING:** Do not operate the appliance until all sections have been assembled and installed in accordance with the manufacturer's instructions.

**WARNING:** Operation of this appliance when not connected to a properly installed and maintained venting system can result in carbon monoxide (CO) poisoning and possible death.

Only doors certified with the appliance shall be used.  
For use only with barrier part # 45-BS-1. Follow installation instructions.

Made in Canada by:  
Archgard Industries Ltd.  
7116 Beatty Dr., Mission, B.C.  
November 2021 303-0057-02

MANUFACTURE DATE:






Figure 4.0.01:

# Installation

## 5.0 Installation Checklist

This standard installation checklist is to be used by the installer in conjunction with, not instead of, the instructions contained within this installation manual.

|   |  |
|---|--|
| <b>Customer:</b> _____<br><b>Install Address:</b> _____ | <b>Date Installed:</b> _____<br><b>Location of Fireplace:</b> _____<br><b>Installer:</b> _____ |
|---|--|

| Appliance Install: (Section 9.0)  | YES | IF NO, WHY NOT? |
|---|-----|-----------------|
| Fireplace is leveled and secured.   |     |                 |
| Venting: (Section 10.0)   | YES | IF NO, WHY NOT? |
| Venting configuration complies with vent diagrams.                                    |     |                 |
| Venting installed and secured in place maintaining proper clearances.                 |     |                 |
| <b>Maintained 1/4" rise for every 1 ft. on horizontal run.</b>                        |     |                 |
| Terminations installed and sealed in compliance with local building code.             |     |                 |
| Direct vent termination is highest point in vent assembly.                            |     |                 |
| Wiring / Electrical: (Section 7.0)  | YES | IF NO, WHY NOT? |
| Connected to household 110/120v per local codes.                                      |     |                 |
| Unit is properly grounded.  |     |                 |
| Gas: (Section 13.0)   | YES | IF NO, WHY NOT? |
| Proper appliance for fuel type?   |     |                 |
| Was a conversion performed?   |     |                 |
| Leak check performed & inlet and manifold pressures verified?                         |     |                 |
| Verified proper air shutter setting?  |     |                 |
| Finishing (Section 12.0):   | YES | IF NO, WHY NOT? |
| Clearances meet installation manual requirements.                                     |     |                 |
| Appliance Setup:  | YES | IF NO, WHY NOT? |
| Burner media / log set, glass door, and screen installed according to install manual. |     |                 |
| Manual given to home owner.   |     |                 |
| Did you check operation of fans and flame modulation?                                 |     |                 |
| <b>Comments:</b>  |     |                 |
|   |     |                 |
|   |     |                 |

## 6.0 Appliance Overview

### 6.1 Appliance Overview

The Proflame II control board is located in the pedestal behind the control access door.

The valve is located in the pedestal behind the control access door.

The rating labels are affixed to the side door panels (see **Section 6.5**).

The fan is located in the back of the firebox and may be accessed by removing the panel located behind the fireplace.

**Note:** This manual uses images of an unpainted fireplace for the purposes of illustration.

\*Left and right side references in this manual correspond with the sides identified in **Figure 6.1.01**.

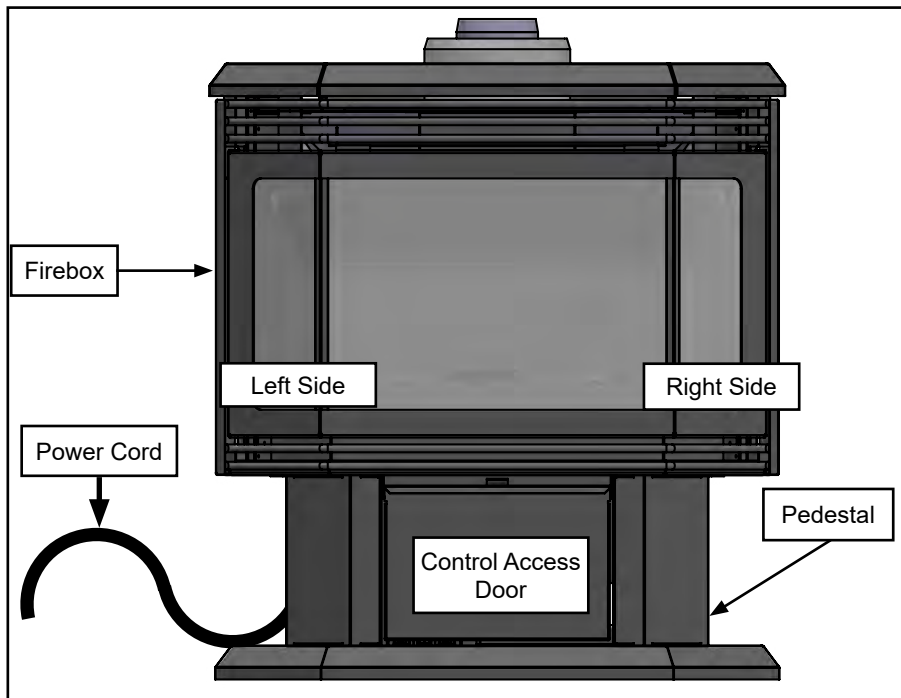


Figure 6.1.01:



# Installation

## 6.2 Barrier Screen

### Removal

To remove the screen, gently pull the bottom of the screen outward and lift the screen off the screen retainer tabs located on the top of the glass door.

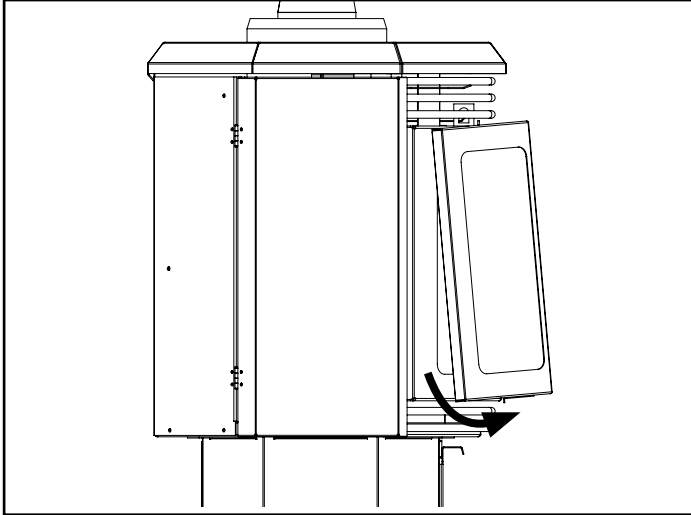


Figure 6.2.01:

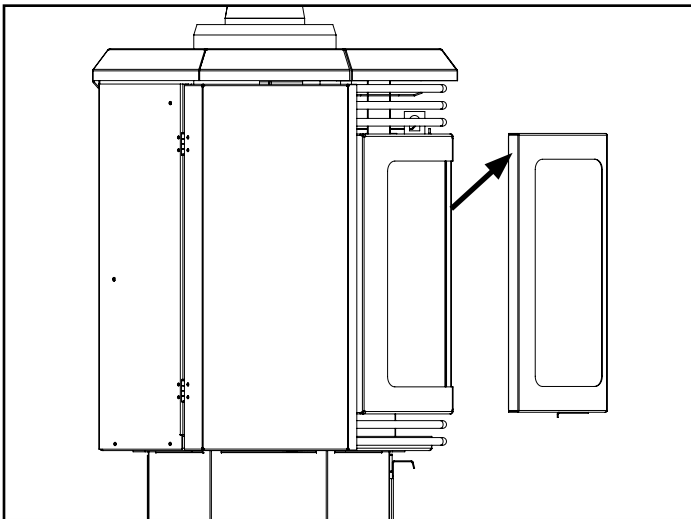


Figure 6.2.02:

### **WARNING**

**DO NOT INSTALL THE BARRIER SCREEN WITH THE GLASS DOOR REMOVED.**

### Installation

To install the screen, hook the top of the screen onto the screen retainer tabs located on top of the glass door and slip the tension tab on the bottom of the screen under the glass door frame.

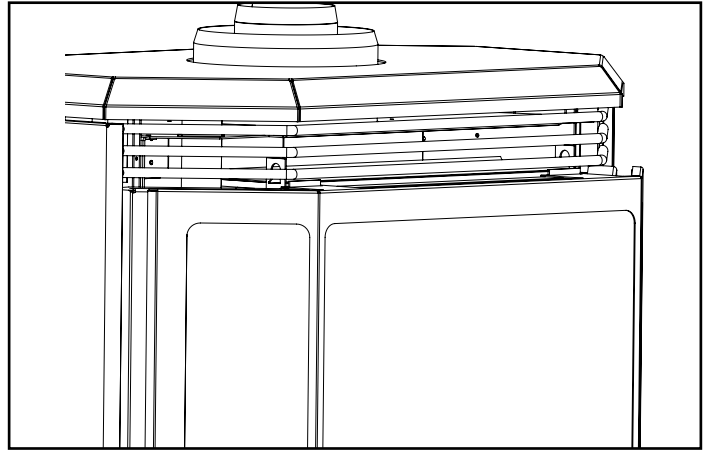


Figure 6.2.03:

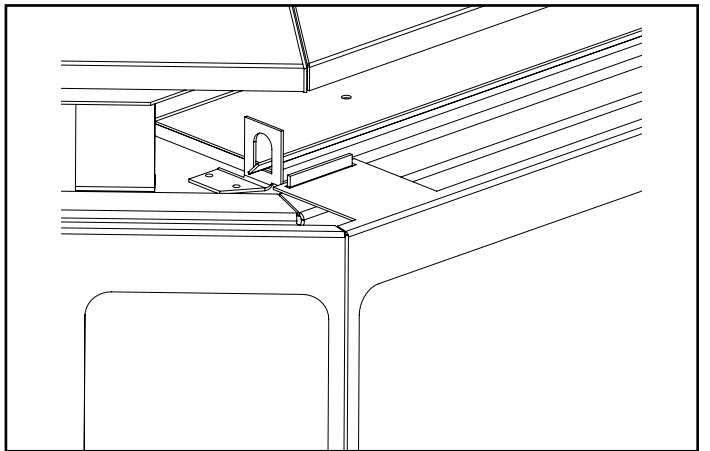


Figure 6.2.04:

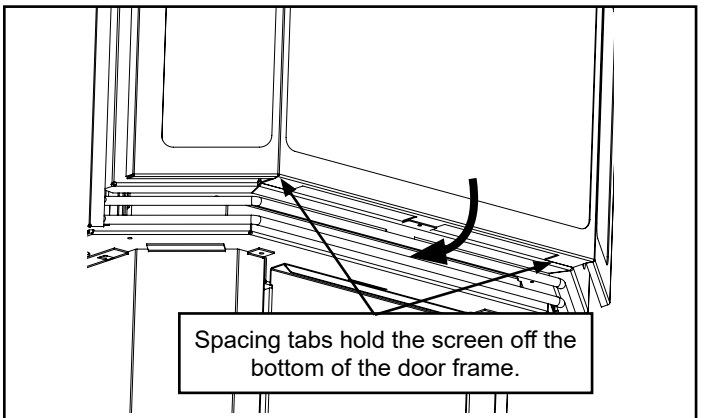


Figure 6.2.05:

If barrier becomes damaged, the barrier shall be replaced with the manufacturer's barrier for this appliance (Part Number: **45-BS-1**).

# Installation

## 6.3 Glass Door Installation

**WARNING:** Do not operate appliance with the glass front removed, cracked, or broken. Replacement of the glass should be done by a licensed or qualified service person. Do not attempt to remove the glass door when the appliance is hot. Be sure there are no fingerprints left on the glass panels during install or when cleaning as high temperatures can bake these prints on permanently. Inspect the door gasket to ensure no damage has occurred when installing the glass door.

**Step 1:** Open the side doors.

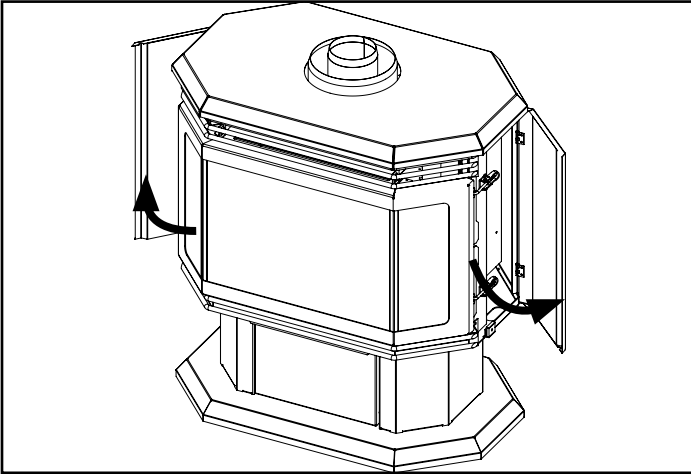


Figure 6.3.01:

**Step 2:** Unlatch the J-hooks on the right side of the door.

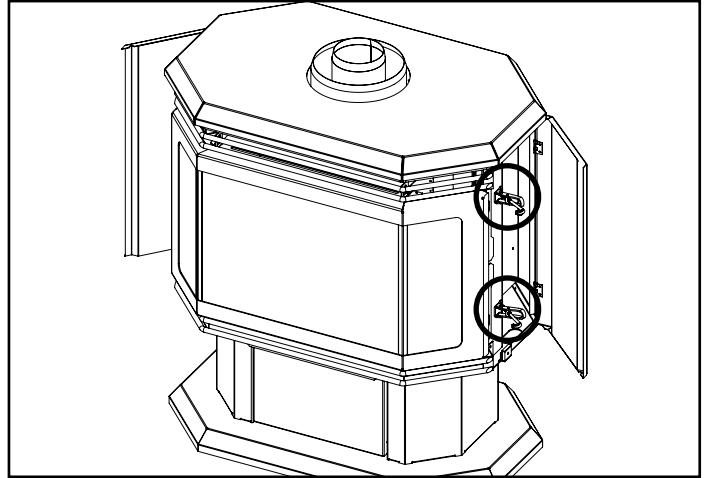


Figure 6.3.02:

**Step 3:** Swing the door open.

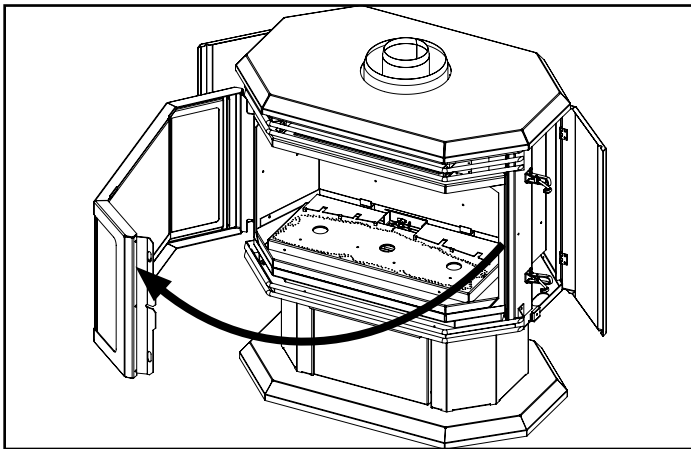


Figure 6.3.03:

**Note:**

For most tasks, it is not necessary to remove the door. Simply opening the door is sufficient to access the firebox.

### If Your Glass Breaks

In the event your glass cracks or breaks, replace the original door assembly with Archgard replacement door assembly (part number RP-845-0000). The glass door and frame assembly must be replaced as a complete unit. Remove the barrier screen (See Section 6.3) and remove door as per the instructions above. Replace with new door assembly and reinstall the barrier screen.

**To remove the door:**

If the door must be removed, lift the door to remove the lower part of the hinge. Then lower the door to clear the upper part of the hinge. Installation is the reverse of removal.

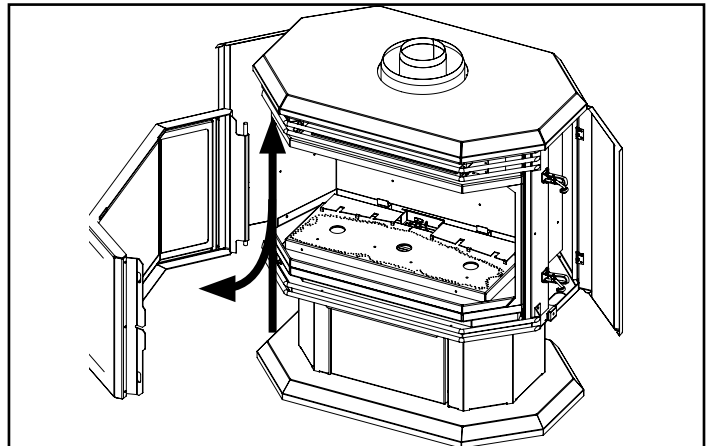


Figure 6.4.04:

**NOTE:** the NEW door will emit some odor when the appliance is lit. The odor will dissipate after the gasket material within the door has cured. Be sure there are no fingerprints left on the glass panels as high temperatures can bake these prints on permanently.

**Warning:** Only doors certified with the appliance shall be used. Do not use substitute glazing materials.

# Installation

## 6.4 Accessing The Controls

To access the control board or valve, flip the control access door located on the front of the pedestal down.

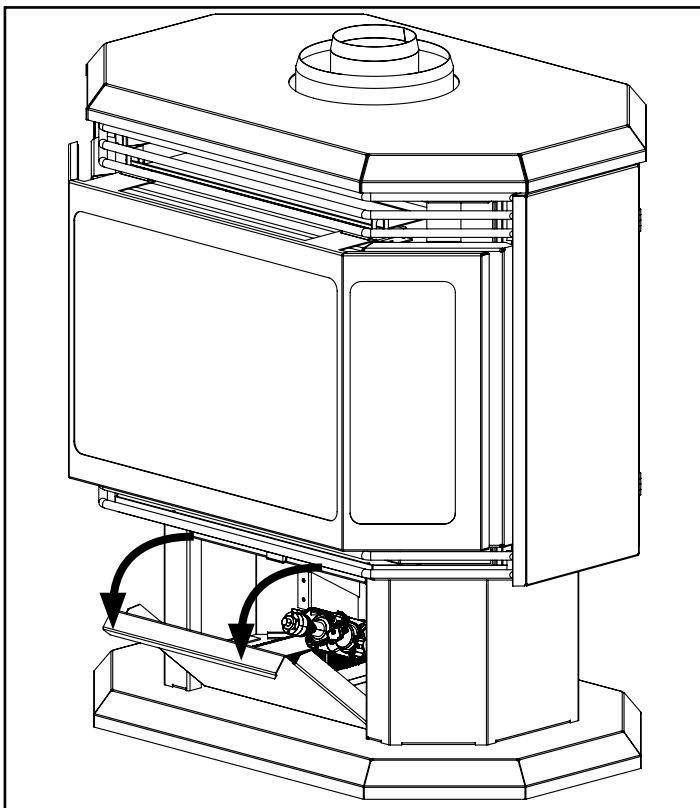


Figure 6.4.01:

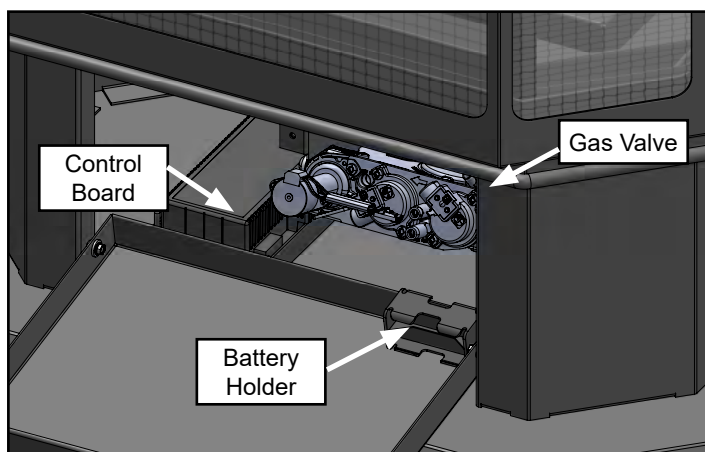


Figure 6.4.02:

## 6.5 Rating Label Location

The rating label is located within the side doors of the fireplace. The English label is located on the left side door and the French label is located on the right side door. See the rating label sample in **Section 4.0**.

To access, open the door.

**Caution:** Allow the fireplace to cool before opening the side doors.

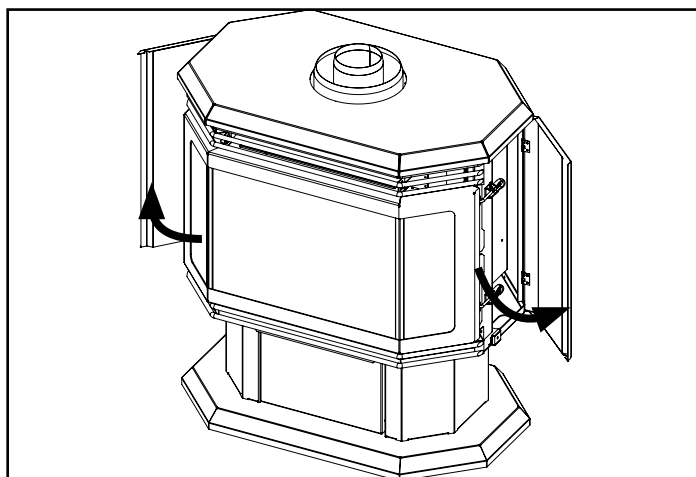


Figure 6.5.01:

## 7.0 Electrical Connections

The **45-DVFE28LN-1** comes complete with an adjustable 6 speed fan wired directly to the main control module.

A 6' power cord is located on the rear-left side of the fireplace (see **Section 6.1**). Do not cut or remove the grounding prong from the main power supply plug.

**CAUTION:** Label all wires prior to disconnection when servicing.

**NOTE:** This appliance, when installed, must be electrically grounded in accordance with local codes or, in the absence of local codes, with the National Electrical Code, ANSI / NFPA 70, or the Canadian Electrical code, CSA C22.1.

## 8.0 Fireplace Dimensions

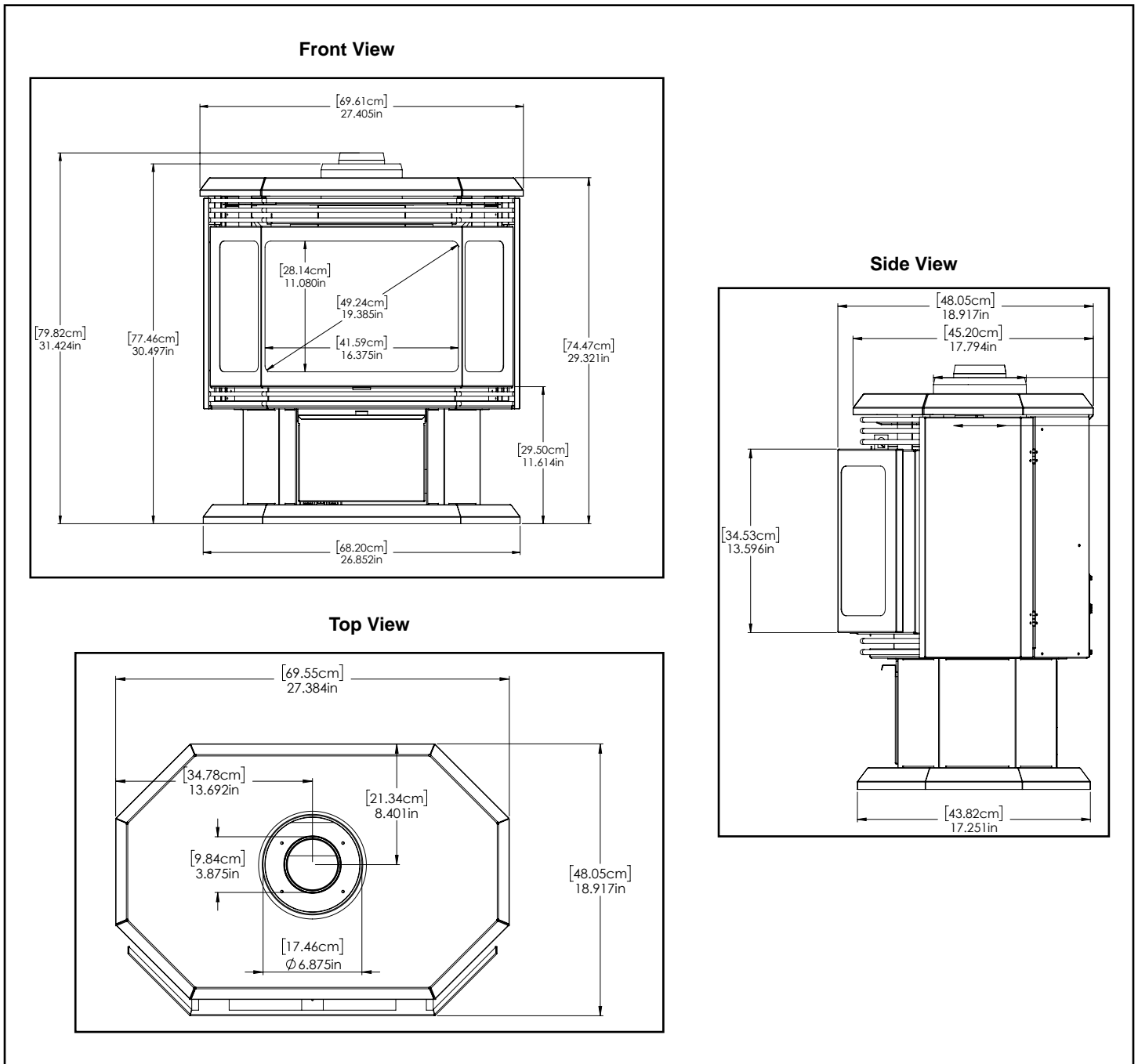


Figure 8.0.01:

## 9.0 Prepare The Fireplace

### 9.1 Installation Overview

#### NOTE

This product must be installed by a qualified installer. The installer should follow the procedure best suited for each specific installation.

1. Prepare the fireplace location, allowing for vent installation and type of installation (corner or flat wall application).
2. Install hearth (if applicable).
3. Complete electrical hook-up.
4. Complete gas line installation.
5. Complete venting installation.
6. Verify all clearances.
7. Install the panel set. Many options are available from your local Archgard dealer.
8. Install the logs, glass door assembly, and barrier screen.
9. Verify proper operation of fireplace and all components.

#### PLACEMENT CLEARANCE REQUIREMENTS

- This fireplace must be installed on a level surface capable of supporting the fireplace and venting
- Due to high surface temperatures, fireplace should be located out of traffic and away from furniture and draperies
- This fireplace may be installed in a bedroom (see local codes)
- Please be aware of the large amount of heat this fireplace will produce when determining a location

## 10.0 Venting Instructions

**WARNING:** Operation of this heater when not connected to a properly installed and maintained venting system can result in carbon monoxide (CO) poisoning and possible death. The appliance must not be connected to a chimney flue serving a separate solid fuel burning appliance.

### WARNING

Consult the local and international codes to assure adequate combustion and ventilation air is available.  
Flame height and appearance will vary depending upon venting configuration and type of fuel used.  
Venting requirements apply to both Natural and LP gas.

Refer to the vent manufacturer's installation manual for complete installation instructions. Installation must conform with the venting requirements and restrictions as outlined in this manual. Provide a means for visually checking vent connection to fireplace after fireplace is installed.

(2) 45° degree elbows may be used in place of (1) 90° elbow. Always maintain a minimum 12" (305 mm) span between each 90° bend in the vent run.

Horizontal sections require 1/4" (6 mm) rise for every 12" (305 mm) of travel.

#### IF INSTALLING FLEX PIPE SYSTEMS:

- More than a 30 degree bend constitutes a 45 degree elbow
- More than a 45 degree bend constitutes a 90 degree elbow
- More than a 90 degree bend is not permissible

#### Horizontal Venting Specifications:

- Horizontal sections require 1/4" (6 mm) rise for every 12" (305 mm) of travel
- Horizontal sections must be supported to prevent sagging. See vent manufacturer's installation manual for more information
  - As a general guideline; a flex line should be supported every 2 - 3' (609.6 - 914.4 mm) and rigid pipe should be supported every 4 - 6' (1219.2 - 1828.8 mm)
- This fireplace must be installed so as to prevent accumulation of condensate in the venting system

#### DO NOT USE SILICONE TO SEAL VENT.

A wall thimble / firestop must be used when penetrating a combustible wall.

A third party adapter is required for installing with third party rigid venting. See **Section 10.3**.

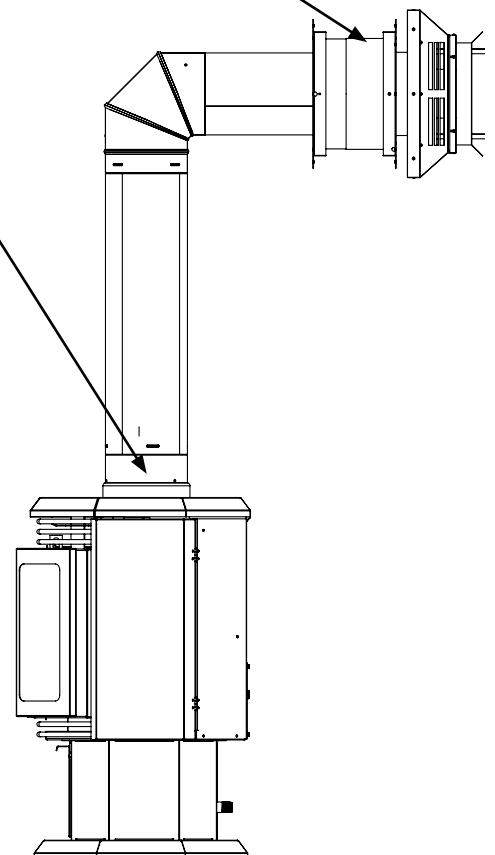


Figure 10.0.01:

# Installation

## Typical Venting Configuration

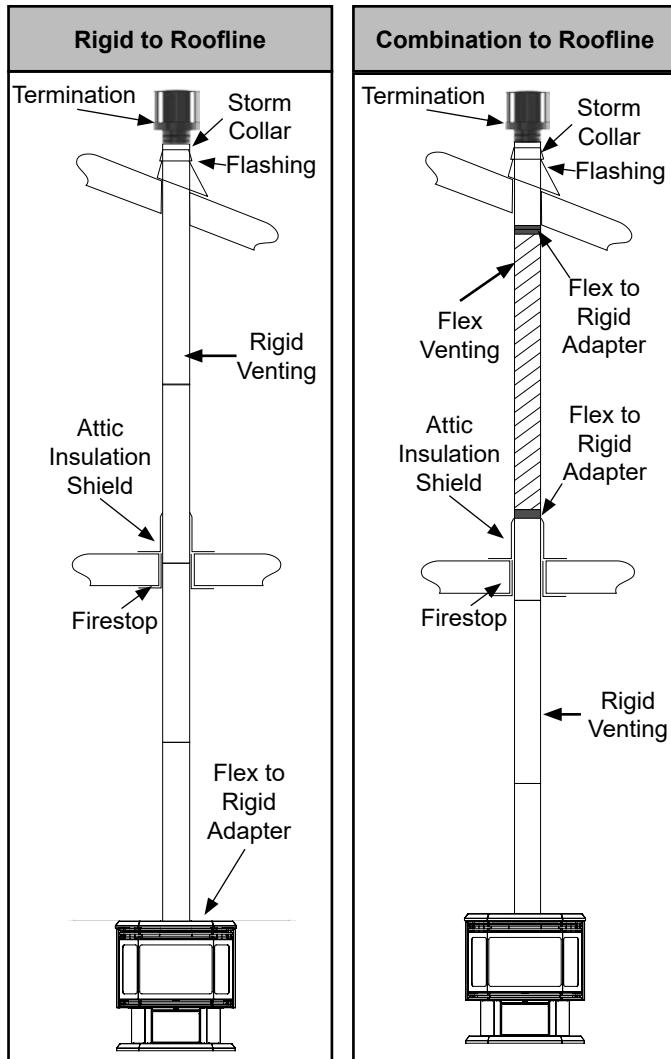


Figure 10.0.02:

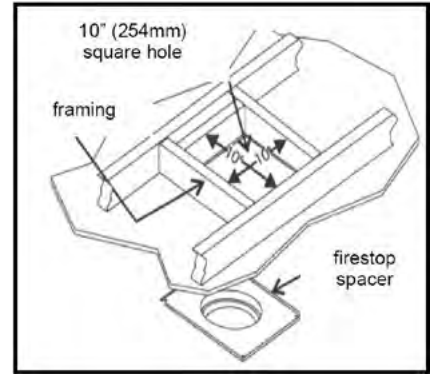


Figure 10.0.03: Firestop Framing

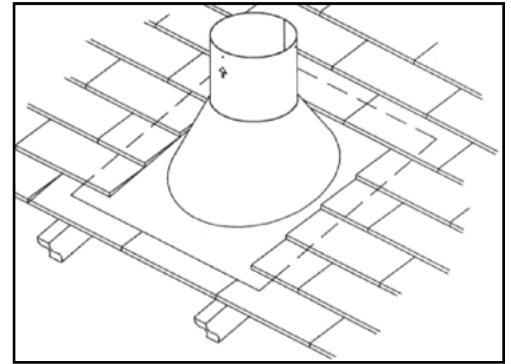


Figure 10.0.04: Flashing Installation

## 10.1 Archgard Venting Components

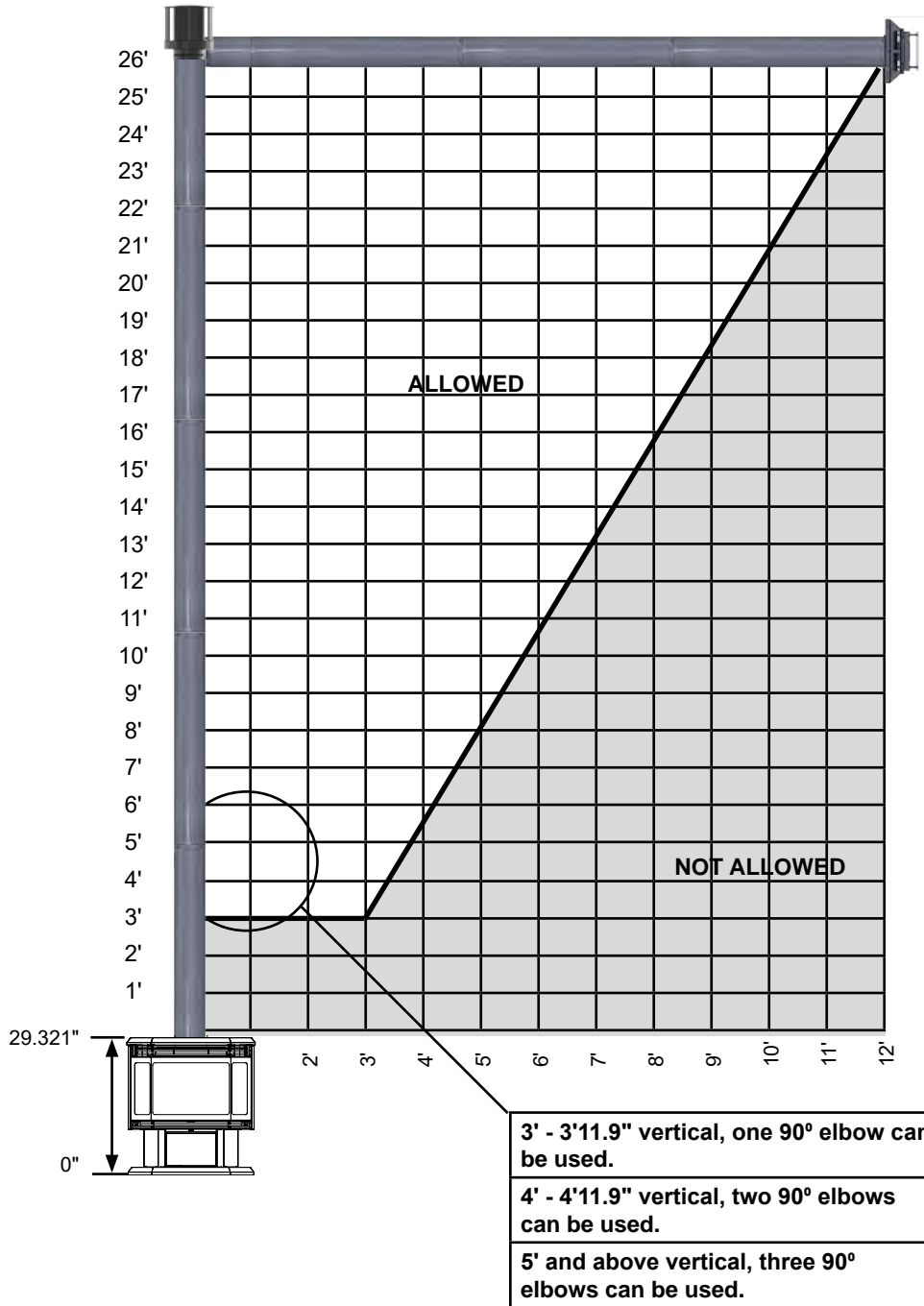
| Part Number                    | Description  |
|--------------------------------|--|
| 45-TVKFS                       | Top Vent Kit   |
| 999-DV-VSD                     | Vinyl Siding Deflector   |
| 999-DV-HTC                     | Horizontal Termination Cap   |
| 999-DV-STC                     | Snorkel Termination Cap  |
| 999-DV-SCU                     | Termination Safety Cage - Universal (14 $\frac{3}{4}$ " W x 14 $\frac{3}{4}$ "H x 10 $\frac{1}{4}$ "D) |
| <b>Archgard Flex Vent Kits</b> |  |
| 999-DV-FL4710                  | Includes 4" & 7" aluminum flex liner (10' long) with six springs                                       |
| 999-DV-C47                     | Includes 7" flex liner coupler (312-0025), and 4" flex liner coupler (312-0024)                        |



# Installation

## 10.2 Vent Run Guide

Horizontal Vent Sections rise 1/4"/ft (21mm/m)



Do NOT restrict the fireplace under any circumstance.

- Vent height is measured from the top of the fireplace
- Two 45° elbows = one 90° elbow
- See **Section 10.5** for snorkel use

Figure 10.2.01:

# Installation

## 10.3 Third Party Venting Components

### ATTENTION

**NO OTHER VENTING SYSTEM OR COMPONENTS MAY BE USED.**

Part numbers shown are correct at the time of printing and should be confirmed with the manufacturer prior to purchase.

Follow manufacturer instructions for installation of termination.

|   | BDM                      | Selkirk   | Duravent                                     | ICC  | Amerivent  |
|---|--------------------------|---|--|--|--|
| <b>Adapters</b>                                 |                          |   |  |  |  |
| Appliance Adapter                               | DVR7-R6ST                | 4DT-AAN<br>(Archgard Part #<br>999-DV-SEA)                    | 810004542<br>(Archgard Part #<br>999-DV-SDA) | TM-4AA6<br>(Archgard Part #<br>999-DV-ICA) | 4DSC-N2<br>(Archgard Part #<br>999-DV-AMA)         |
| <b>4" x 6 5/8" Hard Pipe</b>                    |                          |   |  |  |  |
| 6"  | DVR6-06                  | 4DT-06  | 46DVA-06                                     | 4DL6                                       | 4D7 (7")   |
| 9"  | DVR6-09                  | 4DT-09  | 46DVA-09                                     | 4DL9                                       | ---  |
| 12"   | DVR6-12                  | 4DT-12  | 46DVA-12                                     | 4DL1                                       | 4D12   |
| 18"   | DVR6-18                  | 4DT-18  | 46DVA-18                                     | ---  | ---  |
| 24"   | DVR6-24                  | 4DT-24  | 46DVA-24                                     | 4DL2                                       | 4D2  |
| 36"   | DVR6-36                  | 4DT-36  | 46DVA-36                                     | 4DL3                                       | 4D3  |
| 48"   | DVR6-48                  | 4DT-48  | 46DVA-48                                     | 4DL4                                       | 4D4  |
| 60"   | ---                      | ---   | 46DVA-60                                     | ---  | ---  |
| <b>4" x 6 5/8" Pipe Extension</b>               |                          |   |  |  |  |
| Short Extension                                 | DVR6-08A<br>(4" to 8.5") | 4DT-AJ12<br>(4" to 10")                                       | 46DVA-08A<br>(3" to 7")                      | 4DLS1<br>(1 7/8" to 9")                    | 4D7A<br>(3" to 5")                                 |
| Long Extension                                  | DVR6-16A<br>(4" to 16")  | ---   | 46DVA-16A<br>(3" to 14 1/2")                 | 4DLS2<br>(1 7/8" to 21")                   | 4D12A<br>(3" to 10")                               |
|   | ---                      | ---   | ---  | ---  | 4D16A (3" to 14")                                  |
|   | ---                      | ---   | ---  | ---  | 4D26A (3" to 24")                                  |
| <b>4" x 6 5/8" Adjustable (Telescopic) Pipe</b> |                          |   |  |  |  |
| Short Adjustable                                | ---                      | 4DT-TL14<br>(14" to 22")                                      | 46DVA-17TA<br>(9 1/2" to 15 1/2")            | ---  | ---  |
| Long Adjustable                                 | ---                      | 4DT-TL38<br>(38" to 70")                                      | 46DVA-24TA<br>(15 1/2" to 22 1/2")           | 4DLA30<br>(16 1/2" to 29")                 | ---  |
| <b>4" x 6 5/8" Hard Elbows</b>                  |                          |   |  |  |  |
| 30 degree                                       | DVR6-E30                 | ---   | 46DVA-E30                                    | 4D30                                       | ---  |
| 45 degree                                       | DVR6-E45                 | 4DT-EL45  | 46DVA-E45                                    | 4DE45                                      | 4D45L  |
| 60 degree                                       | DVR6-E60                 | ---   | 46DVA-E60                                    | ---  | ---  |
| 90 degree                                       | DVR6-E90                 | 4DT-EL90S   | 46DVA-E90                                    | 4DE90                                      | 4D90L  |
| Slip 90 Degree Elbow                            | ---                      | ---   | ---  | 4DE90S                                     | ---  |
| Wall Strap                                      | DVR6-WS                  | 4DTWS/B   | 46DA-WS                                      | 4WS  | 4DWS   |
| Elbow (Offset) Strap                            | DVR6-ES                  | 4DT-OS  | 46DVA-ES                                     | 4OS  | 4DWS   |
| Wall Thimble                                    | DVR6-WTU                 | 4DT-WT  | 46-DVA-WT                                    | 4WT  | 4DWT   |
| Vinyl Siding Standoff                           | DVR6-VSS                 | 4DT-VSK (For<br>4DT-HCR) 4DT-<br>VS or 4DTVSS<br>(For 4DT-HC) | 46DVA-VSS                                    | 4VSS                                       | 4DVSK (For 4DHC)<br>4DHVS or 4DHVSK<br>(For 4DHCS) |
| Counter Flashing                                | ---                      | ---   | 46DVA-CFK                                    | ---  | ---  |
| Counter Flashing Stainless                      | DVR6-CFK-SS              | ---   | 46DVA-CFK-S                                  | ---  | ---  |
| Ceiling Firestop                                | DVR6-CFS                 | 4DT-CS  | 46DVA-FS                                     | 4CS  | 4DFSP  |
| Attic Insulation Shield                         | DVR6-AIS                 | 4DT-AIS   | 46-DVA-IS                                    | 4AS  | 4DAIS12  |

# Installation

## Third Party Venting Components (cont'd)

|   | BDM                                 | Selkirk                                | Duravent                                    | ICC           | Amerivent                    |
|---|-------------------------------------|--|---|---------------|------------------------------|
| <b>Roof Flashings</b>                     |                                     |  |   |               |                              |
| 0/12 to 6/12 Pitches                      | DVR6-AF012                          | 4DT-AF6                                | 46DVA-F6                                    | 4MFA & 6EMFA  | 4DF (0/12 to 5/12)           |
| 7/12 to 12/12 Pitches                     | DVR6-AF712                          | 4DT-AF12                               | 46DVA-F12                                   | 4MFB & 6EMFB  | 4DF12 (6/12 to 12/12)        |
| Flat Roof                                 | DVR6-TCF                            | ---                                    | 46DVA-FF                                    | 4F            | ---                          |
| <b>Metal Roof Flashings</b>               |                                     |  |   |               |                              |
| 0/12 to 6/12 Pitches                      | 949606012                           | URBAK (rubber boot flashing)           | 46DVA-F6DS                                  | ---           | URBAK (rubber boot flashing) |
| 7/12 to 12/12 Pitches                     | 949606712                           | URBAK (rubber boot flashing)           | 46DVA-F12DS                                 | ---           | URBAK (rubber boot flashing) |
| Storm Collar                              | DVR68-SC                            | 4DT-SC                                 | 46DVA-SC                                    | 4SC           | 4DSC                         |
| <b>Horizontal Terminations</b>            |                                     |  |   |               |                              |
| Horizontal Square Termination (Aluminum)  | DVR6-HCP (Rigid)<br>DVF6-HCP (Flex) | 4DT-HC                                 | 46DVA-HC                                    | TM-4HT        | 4DHCS                        |
| Horizontal Square Termination (Stainless) | ---                                 | ---                                    | 46DVA-HC-S                                  | ---           | ---                          |
| Horizontal Square Termination (Copper)    | DVR6-HCPC (Rigid)                   | ---                                    | 46DVA-HC-C                                  | ---           | ---                          |
| Horizontal Termination Other              | DVR6-HC (Rigid)<br>DVF6-HC (Flex)   | ---                                    | ---   | ---           | ---                          |
| Horizontal Round Termination (Aluminum)   | ---                                 | 4DT-HCR                                | 46DVA-HRCS                                  | ---           | 4DHC                         |
| <b>Snorkels</b>                           |                                     |  |   |               |                              |
| 14" Snorkel                               | DVR6-SNK14                          | 4DT-ST14                               | 46DVA-SNK14                                 | 4ST14         | 4D14S                        |
| 36" Snorkel                               | DVR6-SNK36                          | 4DT-ST36                               | 46DVA-SNK36                                 | 4ST36         | 4D36S                        |
| Horizontal High Wind Guard                | 940164SHRD                          | ---                                    | 46DVA-WG                                    | 4HTS or 4RHTS | 4DHS                         |
| <b>Vertical Terminations</b>              |                                     |  |   |               |                              |
| Vertical High Wind Termination            | DVR6-VCH                            | 4DT-VT                                 | 46DVA-VCH<br>(Archgard Part # 999-DV-SDVTC) | TM-4SVT       | 4DVC                         |
| Vertical High Wind Guard                  | DVR68-VWG                           | ---                                    | 46DVA-VWG                                   | 4SVTS         | ---                          |
| <b>Flex Venting</b>                       |                                     |  |   |               |                              |
| 7" 25ft                                   | 95270725                            | 1770250                                | 7DFA-25                                     | ---           | 1770250                      |
| 7" 35ft                                   | 95270735                            | 1770350                                | 7DFA-35                                     | ---           | 1770350                      |
| 7" 50ft                                   | 95270750                            | ---                                    | 7DFA-50                                     | ---           | ---                          |
| 4" 25ft                                   | 95270425                            | 1740250                                | 4DFA-25                                     | ---           | 1740250                      |
| 4" 35ft                                   | 95270435                            | 1740350                                | 4DFA-35                                     | 4AL35         | 1740350                      |
| 4" 50ft                                   | 95270450                            | ---                                    | 4DFA-50                                     | 4AL50         | ---                          |
| <b>Horizontal Safety Cages</b>            |                                     |  |   |               |                              |
| BDM                                       | 940164SHRD                          | BDM Termination Safety Cage            |   |               |                              |
| ICC                                       | 4HTS                                | ICC Horizontal Termination Safety Cage |   |               |                              |

# Installation

## 10.4 Termination Location Clearances

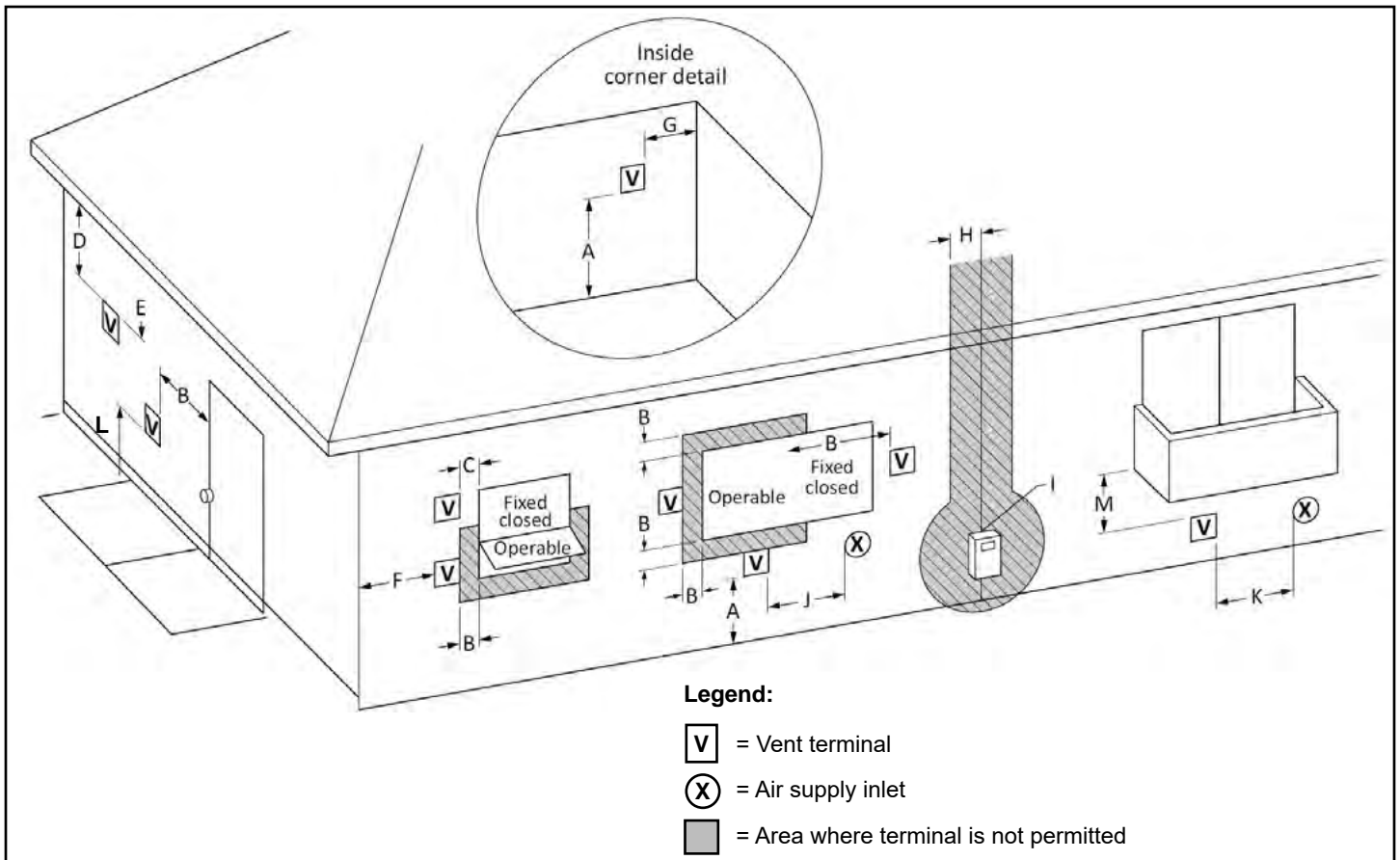


Figure 10.4.01:

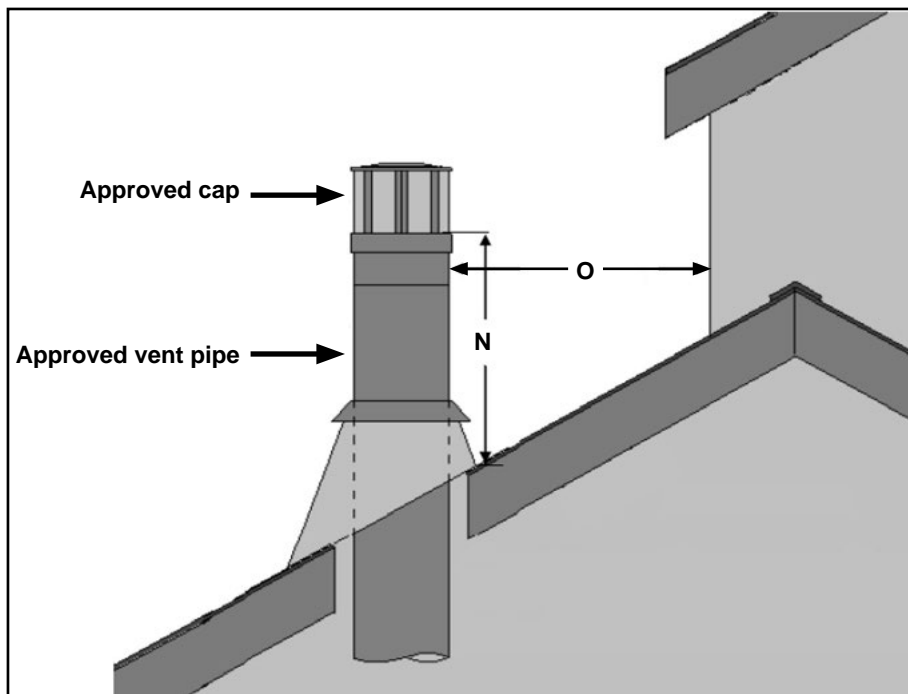


Figure 10.4.02:

# Installation

|          |   | Canadian Installations <sup>1</sup>   | US Installations <sup>2</sup>             |
|----------|---|---|---|
| <b>A</b> | Clearance above grade, veranda, porch, deck, or balcony   | 12" (305 mm)  | 12" (305 mm)                              |
| <b>B</b> | Clearance to window or door that may be opened  | 12" (305 mm)  | 9" (229 mm)                               |
| <b>C</b> | Clearance to permanently closed window*   | *   | *   |
| <b>D</b> | Vertical clearance to ventilated soffit   | 18" (457.2 mm)  | *   |
| <b>E</b> | Clearance to unventilated soffit  | 12" (305 mm)  | 12" (305 mm)                              |
| <b>F</b> | Clearance to outside corner   | 0" (0 mm)   | 0" (0 mm)                                 |
| <b>G</b> | Clearance to inside corner  | 2" (50.8 mm)  | 2" (50.8 mm)                              |
| <b>H</b> | Clearance to each side of center line extended above meter / regulator                                      | 3' (914 mm) within a height 15' (4.57 m) above the meter / regulator assembly | *   |
| <b>I</b> | Gas service regulator vent outlet   | 3' (914 mm)   | *   |
| <b>J</b> | Clearance to non-mechanical air supply inlet to building or the combustion air inlet to any other appliance | 12" (305 mm)  | 9" (229 mm)                               |
| <b>K</b> | Clearance to mechanical air supply inlet  | 6' (1.83 m)   | 3' (914 mm) above if within 10' (3.05 mm) |
| <b>L</b> | Clearance above paved sidewalk or driveway located on public property.                                      | 7' (2.13 m) †   | *   |
| <b>M</b> | Clearance under veranda, porch, deck, or balcony.   | 12" (305 mm) ‡  | *   |
| <b>N</b> | Minimum clearance from roof to lowest discharge opening.  | 18" (457 mm)  | 18" (457 mm)                              |
| <b>O</b> | Clearance from vertical vent to adjacent wall.  | 24" (610 mm)  | 24" (610 mm)                              |

**Notes:**

1) In accordance with the current CSA B149.1, Natural Gas and Propane Installation Code.

2) In accordance with the current ANSI Z223.1/NFPA 54, Natural Fuel Gas Code.

• Recommended to prevent condensation on the window.

\* For clearances not specified and ANSI Z223.1/NFPA 54 or CSA B149.1, clearance must be in accordance with local installation codes and the requirements of the gas supplier.

† A vent shall not terminate directly above a sidewalk or paved driveway that is located between two single family dwellings and serves both dwellings.

‡ Permitted only if veranda, porch, deck, or balcony is fully open on a minimum of two sides beneath the floor.

## WARNING

A safety cage may be required to cover a horizontal termination if the termination is located near a walkway. See local codes.

## 10.5 Snorkel Termination Installation

- Follow snorkel termination manufacturer's installation instructions and local codes
- The vertical rise of a snorkel termination can be used in place of a vertical vent rise. Follow the snorkel termination manufacturer's information for installation
- A snorkel counts as two 90° elbows out of the total number of allowable elbows in the vent run. For example, the installation in **Figure 10.5.01** shows the use of 3 90° elbows
- Ensure there is enough vertical venting to accommodate the number of elbows used. run refer to **Section 10.2**
- If the snorkel termination is installed below grade, (IE: basement) proper drainage must be provided to prevent water from entering the snorkel termination (see **Figure 10.5.01**)
- Do not attempt to enclose the snorkel termination in the wall or any other type of enclosure
- Do not locate snorkel termination where excessive snow or ice build up may occur. Check snorkel termination area after every snow fall and clear if necessary to prevent blockage. If using snow blowers, make sure snow is not directed at the snorkel termination

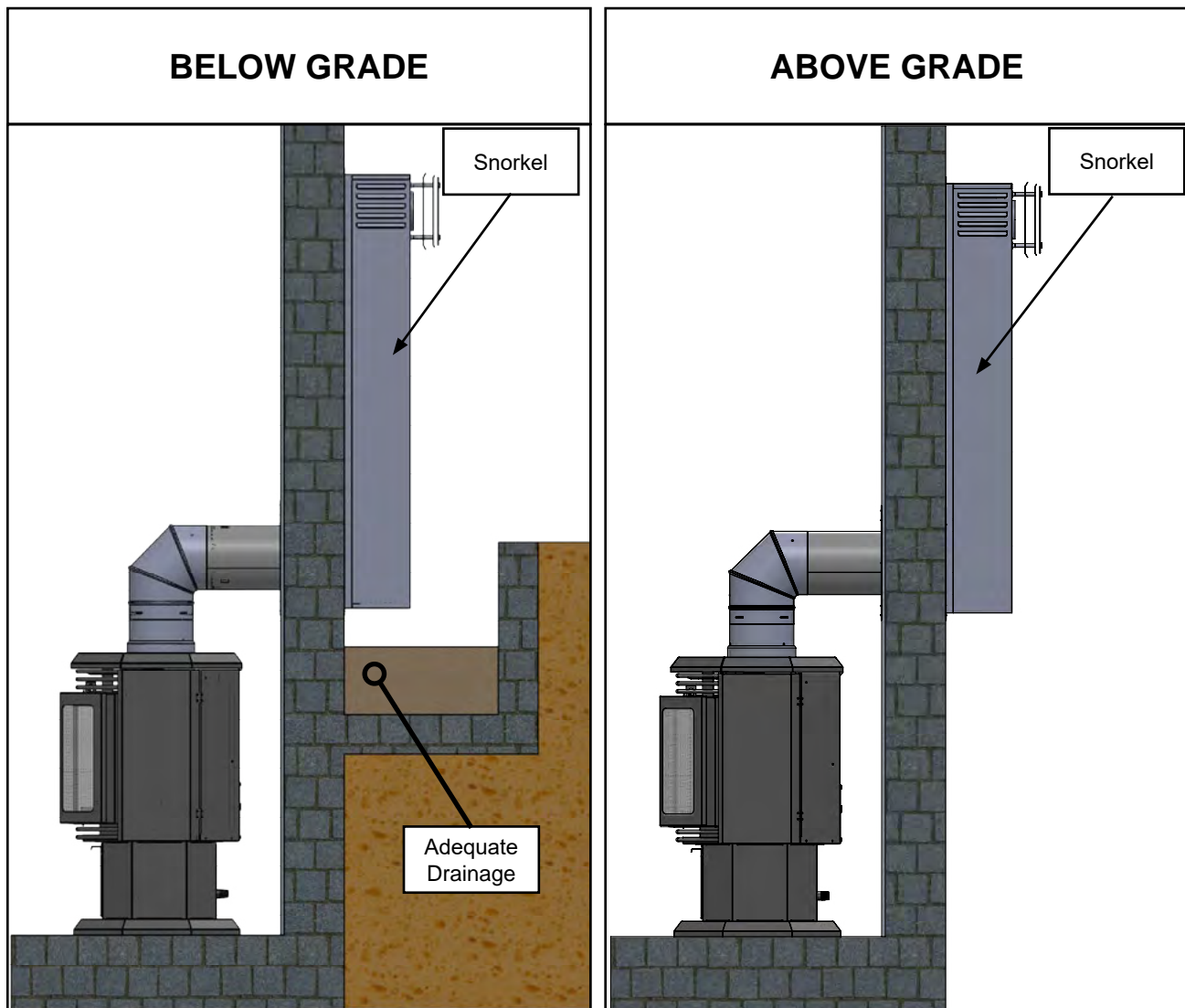


Figure 10.5.01

# Installation

## 11.0 Framing

### 11.1 Ventilation Framing

Ventilation framing dimensions are based on Duravent venting components. If other third party venting components are used, refer to the installation instructions from the third party manufacturer for installation information. The following critical dimensions must be maintained regardless of venting manufacturer:

| Item                                     | Critical Dimensions               |
|--|-----------------------------------|
| Distance from ceiling to horizontal pipe | 2" (5.08 cm)                      |
| Thimble framing dimensions               | 9" (22.86 cm) W x 10" (25.4 cm) H |

Ceiling height and the height to the bottom of the thimble shown are based on a minimum vent run. These values may vary depending on the requirements of each installation.

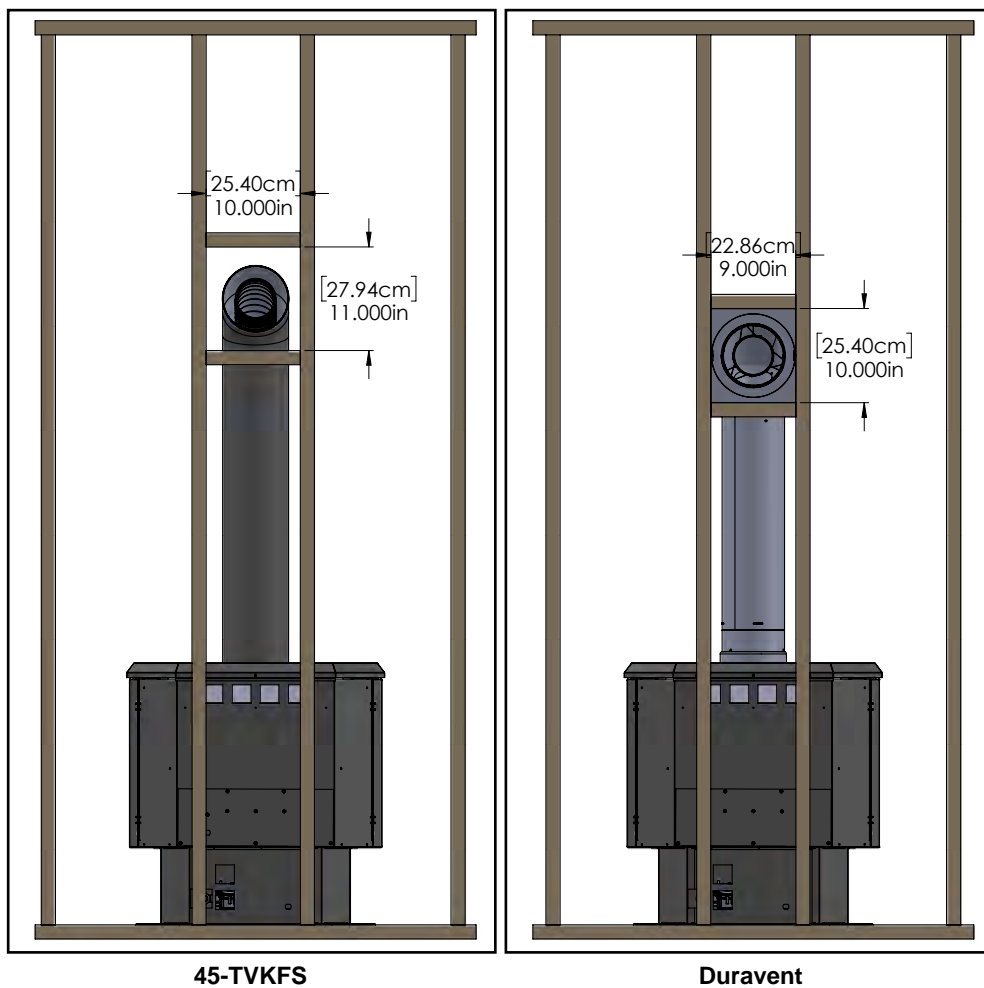


Figure 11.1.01

#### IMPORTANT

Vent cap location must be in compliance with guidelines in **Section 10.4** of this manual.

#### WARNING

DO NOT RECESS VENT CAP INTO WALL OR SIDING.

# Installation

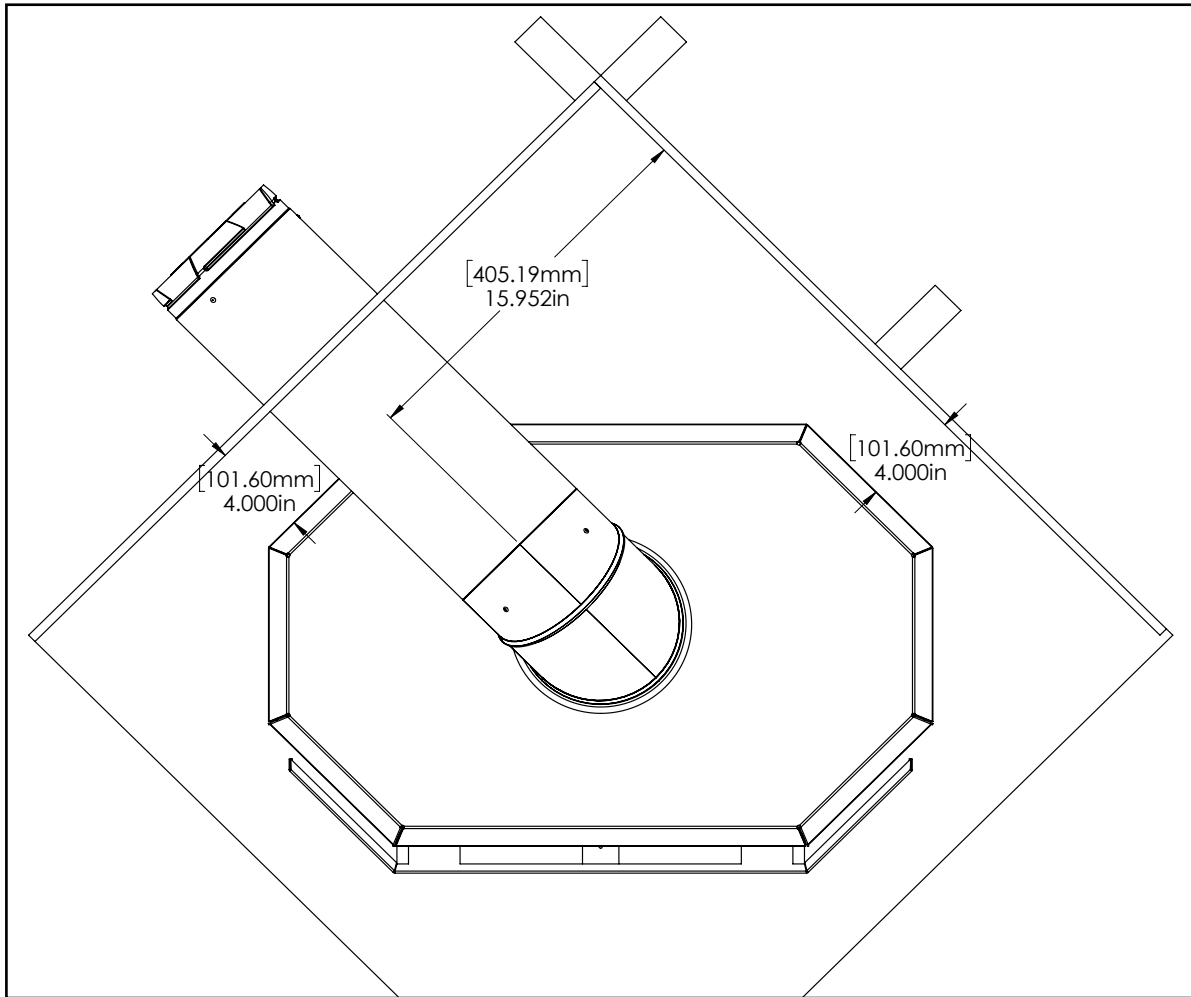


Figure 11.1.01: Corner Installation with venting



# Installation

## 12.0 Clearances to Combustibles

**WARNING:** Failure to position the parts in accordance with these diagrams or failure to use only parts specifically approved with this appliance may result in property damage or personal injury or loss of life.

### 12.1 Ceiling Clearance

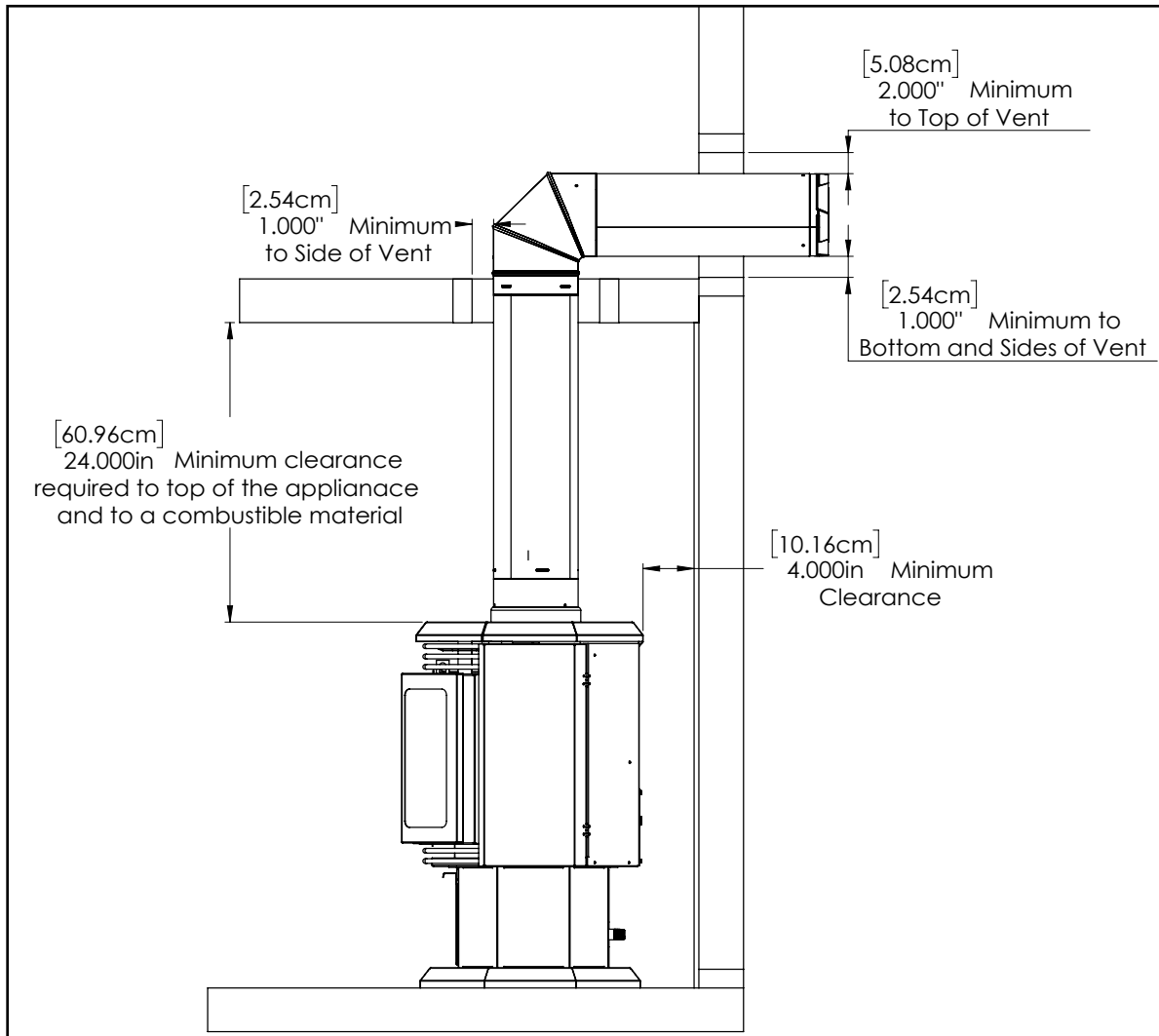


Figure 12.1.01

#### Installation on Carpet:

The appliance may be installed directly on carpet with a pile up to 1", as long as the fireplace is stable and level.

# Installation

## 12.2 Sidewall Clearances

Maintain a minimum of **11" (27.94 cm)** clearance from the side of the fireplace to sidewalls. Maintain a minimum of **4" (10.16 cm)** clearance from the back of the fireplace to the wall behind the fireplace.

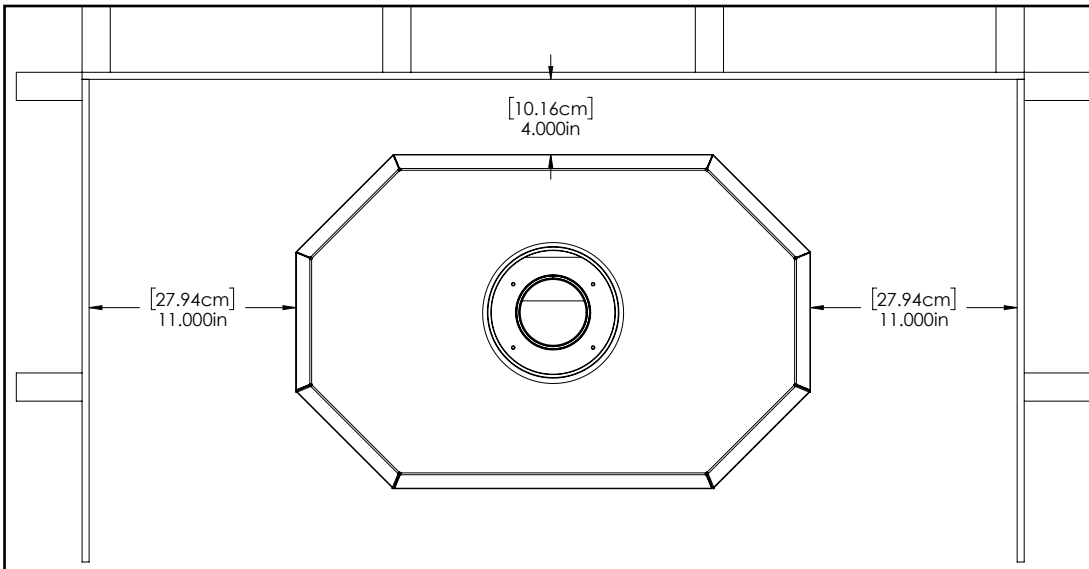


Figure 12.2.01

## 12.3 Corner Installation Clearances

Maintain a minimum of **4" (10.16 cm)** clearance from the 45° corner of the fireplace to sidewalls.

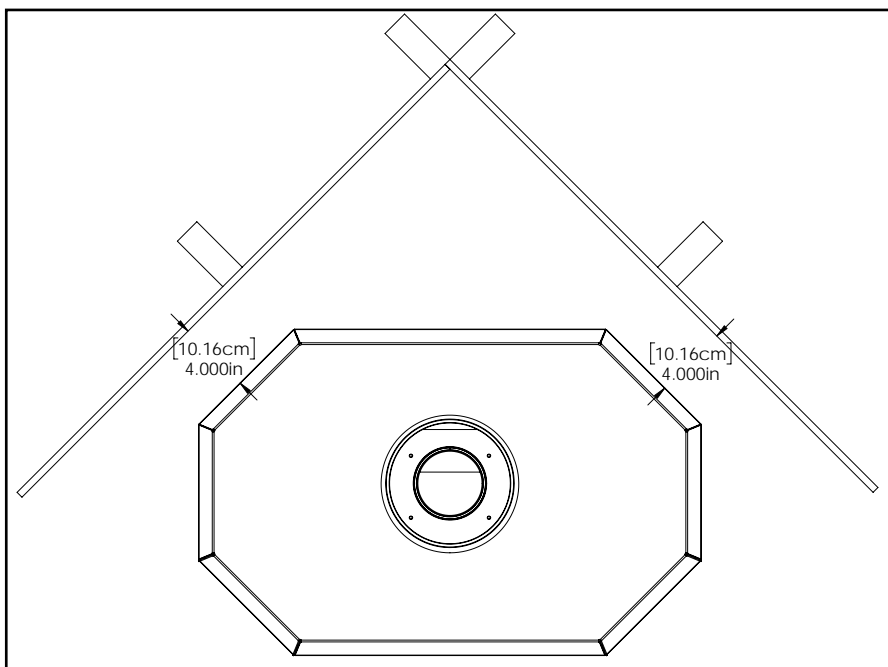


Figure 12.3.01

# Installation

## 13.0 Gas Connections

Before connecting the appliance to the gas supply line, double check that the appliance you have purchased is designed for the gas type you are using. The gas type markings are located on the rating label (See **Section 4.0** and **Section 6.5**) and also on the appliance's gas valve.

Adequate clearance for proper installation and checking of the gas connections must be provided. **All gas connections must be checked for gas leaks.**

After securing the fireplace to the framing, have your gas supplier or a qualified gas fitter run a gas supply line to the install location. The line must be properly sized and fitted according to the installation codes. Immediately upstream of the supply connection, the fitter shall provide an accessible manual shut-off valve. When connecting the supply line to the gas valve, the installer shall brace the gas valve to ensure that the gas valve is not moved from its bracket. If the valve is not braced when the supply line is connected, the valve may be moved and cause a "break" in the main burner supply line. Such damage is not covered by the manufacturer's warranty.

**CAUTION:** The appliance and its individual shut-off valve must be disconnected from the gas supply piping system during any pressure-testing of that system at test pressures in excess of 1/2 psig (3.5 kPa). The appliance must be isolated from the gas supply piping system by closing its individual manual shut-off valve during any pressure-testing of the gas supply piping system at test pressures equal to or less than 1/2 psig (3.5 kPa). Failure to do so will damage the appliance's gas valve. Such damage is not covered by the manufacturer's warranty.

### Natural Gas Pressure Settings:

The inlet supply or line pressure must be a minimum of 5.0" W.C. (1.24 kPa) and a maximum of 14.0" W.C. (3.48 kPa). The orifice is a #38 DMS (2.59 mm) drill size.

| <u>ELEVATION</u>            | <u>INPUT RATING</u>  |
|-----------------------------|--|
| 0-4500 ft (0-1372 M)        | 28,000 BTU/hr (8.2 kW)   |
| 4500 ft (1372 M) and above. | 28,000 BTU/hr (8.2 kW) less 4% per 1000 ft. (305 M) above sea level. |

Please contact your local distributor for the appropriate orifice size you require.

### Propane Pressure Settings:

The inlet supply or line pressure must be a minimum of 11.0" W.C. (2.99 kPa) and a maximum of 14.0" W.C. (3.48 kPa). The orifice is a #52 DMS (1.60 mm) drill size.

| <u>ELEVATION</u>             | <u>INPUT RATING</u>  |
|------------------------------|--|
| 0-4500 ft. (0-1372 M)        | 28,000 BTU/hr (8.2 kW)   |
| 4500 ft. (1372 M) and above. | 28,000 BTU/hr (8.2 kW) less 4% per 1000 ft. (305 M) above sea level. |

Please contact your local distributor for the appropriate orifice size you require.

## 13.1 Clocking Procedure (for high altitude derating)

**IMPORTANT:** THE INPUT RATING SHOULD ALWAYS BE CHECKED WHEN FIRST FIRING THIS APPLIANCE.

Before you begin, shut off all other gas appliances including any standing pilots. Light the fireplace and wait 15 minutes. Clock the time to burn 1ft<sup>3</sup> of gas on the meter. Check with your gas supplier for the gas BTU content at your elevation. Input is the rate of flow multiplied by the heating value of the gas (cubic feet/hour x BTU per cubic feet). **Note:** This assumes a dry gas meter at 1/2 psi. If using a 2 psi dry gas meter the unit will rate lower as the calculation has to correct for the higher pressure in the meter. If the unit is over-rated, contact your authorized Archgard dealer. The following calculation equation gives a rough estimation as it does not correct for temperature and pressure.

### Rough Calculation Equation:

$$\frac{3600}{\text{time to burn 1ft}^3 \text{ gas in seconds}} \times \frac{\text{gas caloric value in BTU/ft}^3}{\text{in BTU/ft}^3} = \text{Rating in } \frac{\text{BTU}}{\text{hr}}$$

# Installation

## 13.2 Supplying Gas

### Before you begin:

- Ensure the fireplace is off and cool before servicing
- Ensure the gas supply is turned OFF and disconnect the power supply (including backup batteries)

**Step 1:** Run the gas line to the rear, right side of the fireplace.

**Step 2:** A 3/8" pipe is connected to the gas valve and extends outside the back side of the fireplace (see **Figure 13.2.02**). Connect the gas line to the pipe and tighten.

**Step 3:** Turn on the gas to the appliance and check for leaks.

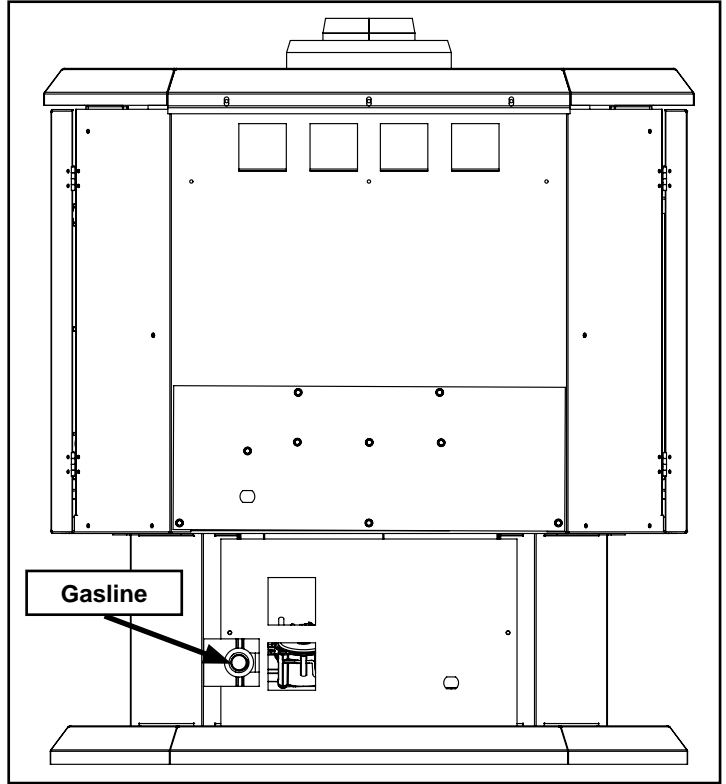


Figure 13.2.01:



Figure 13.2.02:

# Installation

## 14.0 Conversion Kit Instructions

**IMPORTANT:** This fireplace is Natural gas ready. If converting to LP gas, follow instructions below.

**WARNING:** This conversion kit shall be installed by a qualified service agency in accordance with the manufacturers instructions and all applicable codes and requirements of the authority having jurisdiction. If the information in these instructions is not followed exactly, a fire, explosion or productions of carbon monoxide may result, causing property damage, personal injury or loss of life. The qualified service agency is responsible for proper installation of this kit. The installation is not proper and complete until operation of the converted appliance is checked as specified in the instructions supplied with the kit. Refer to appliance owner's manual or product data plate for proper inlet and manifold pressure adjustments and orifice sizing.

**IMPORTANT:** For high altitude installations above 4500 ft (1372 meters), consult local gas distributor or the authority having jurisdiction for proper derating methods.

KIT NUMBERS: 45-CKELP for LP gas and 45-CKENG for Natural Gas

KIT INCLUDES:

- Gas conversion label (303-0128)
- Burner orifice (part number 301-0068-52, #52 DMS for LPG) (part number 301-0068-38, #38 DMS for NG)
- Instruction Sheet
- SIT 885 Valve conversion kit c/w instructions & gas type label

**WARNING: SHUT OFF GAS SUPPLY AND ELECTRICAL POWER TO FIREPLACE  
SHUT OFF GAS SUPPLY BEFORE DISCONNECTING ELECTRICAL POWER**

### 14.1 Prepare the Fireplace

- Open the Glass door (see **Section 6.3**), Brick Panel Set (if applicable, see **Section 15**), and Logset (see **Section 16**)
- Remove the Burner Surround (see **Section 18.11**)
- Remove the Burner (see **Section 18.12**)

Remove the burner orifice using a 1/2" wrench. Replace with the orifice supplied with the conversion kit. Use a small amount of pipe sealant on the threads of the orifice mount. Do not use too much as it can block the orifice.



Figure 14.1.01:

### 14.2 Pilot Conversion

Using a 7/16" wrench and loosen the pilot hood 1/4 turn. Slide the tab at the bottom of the orifice hood all the way so the red side (propane) with the hole in it is showing. Tighten the pilot hood back up so that it is lined up with the two probes on both sides of the pilot assembly.

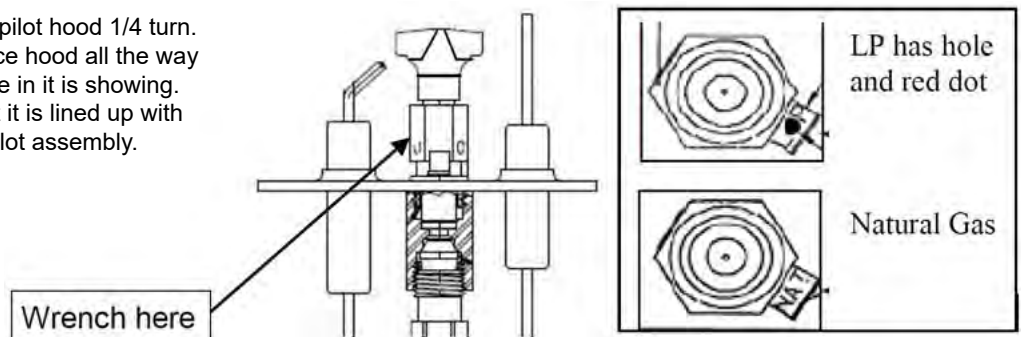


Figure 14.2.01:

## 14.3 Convert the Gas Valve

**WARNING:** Installation of this conversion kit must only be undertaken by a qualified and certified gas appliance installer.

Verify that the following items are present in the package:

- Pressure regulator assembly (E)
- Two (2) screws (F)
- Identification label (G)
- Installation instructions (this document)

1. Shut off the gas supply to the valve and shut down the electric supply.
2. See **Figure 14.3.01**. Using a Torx T20, or slotted screwdriver, remove and discard the two (2) pressure regulator mounting screws (A), pressure regulator tower (B), and the spring and diaphragm assembly (C), (if applicable).
3. Ensure the rubber gasket (D), which is prefitted as part of assembly (E), is properly positioned, see **Figure 14.3.02**, otherwise fit the gasket as shown **Figure 14.3.02**.
4. Install the new STEPPER MOTOR pressure regulator assembly, as shown in **Figure 14.3.03** and **Figure 14.3.04**. Use the supplied screws (F), M4 x 0.7 threaded, length of thread  $L = (16 \text{ mm} + 0 - 0.5 \text{ mm})$ , steel material, resistance class 8.8 (see **Figure 14.3.05**).
5. Manually thread the two conversion kit mounting screws into the valve body. Use a standard screwdriver or T20 Torx bit and tighten to the screws with a fixing torque of  $25 \text{ lb-in} \pm 5\%$ .  
**IN THE EVENT THAT THE THREADS OF THE VALVE ARE STRIPPED OR DAMAGED, REPLACE THE VALVE.**
6. Install the enclosed identification label (G) to the valve body where it can be easily seen.
7. Make STEPPER MOTOR and valve electrical connections, apply gas to system and relight appliance according to manufacturers instructions.
8. With the main burner ON, test the new pressure regulator assembly for leaks using a soap solution.
9. Relight the main burner and verify proper burner ignition and operation.

**WARNING: Installation should be carried out in a clean environment.**

**WARNING: This modulating conversion kit must ONLY be applied as part of a conversion kit supplied by the APPLIANCE MANUFACTURER.**

**WARNING: Correct operation of the system cannot be guaranteed if the conversion kit or valve has been dropped or has sustained a strong impact.**

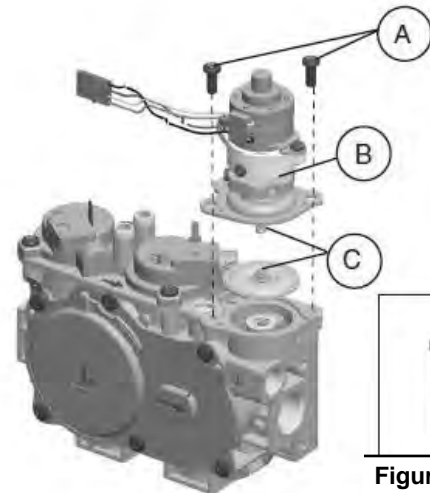
**INSTALLER NOTICE: These instructions must be left with appliance.**

## 14.4 Complete the Conversion

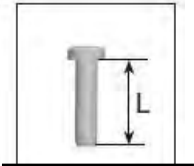
- Install the Burner (see **Section 18.12**)
- Turn on the gas and electrical supplies
- Turn on the fireplace so the burner is on
- Check for leaks at **all** connections

Test inlet and outlet pressure (See **Section 18.3**). Visually check pilot flame. Flame should envelope top of the flame sensor and extend forward onto the burner. To adjust pilot turn the pilot adjustment screw on the control valve clockwise to decrease or counter clockwise to increase pilot flame. Clock the rating as shown in **Section 13.1**. Adjust the primary air according to specifications in this manual or as found on the rating label.

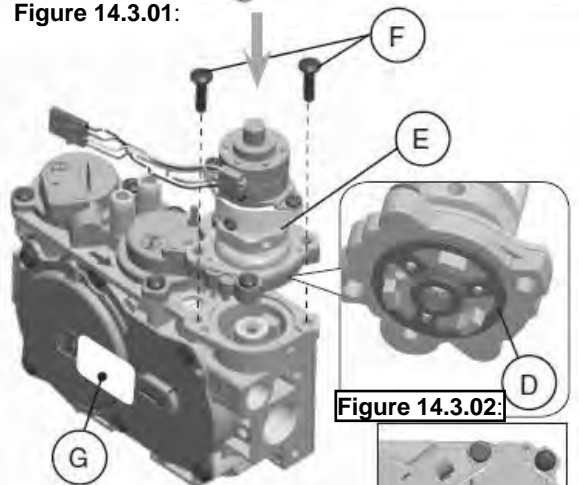
- Turn fireplace off
- Affix gas type label to the rating label label (See **Section 6.5** for rating label location)
- Complete the conversion label and affix to valve assembly plate
- Install the Burner Surround (see **Section 18.11**), Install the panel set (if applicable, see **Section 15**), and install the Logset (see **Section 16**)
- Close and latch the Glass Door with Barrier Screen (see **Section 6.3**)



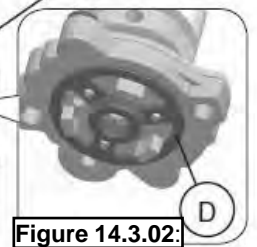
**Figure 14.3.01:**



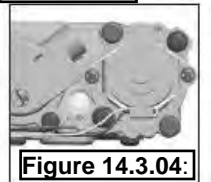
**Figure 14.3.05:**



**Figure 14.3.03:**



**Figure 14.3.02:**



**Figure 14.3.04:**

## 15.0 Firebox Liner Installation

### 15.1 Brick Panel Installation

The following steps highlight the procedure for installing brick panel firebox liners. Handle the panels with care as they are delicate. Inspect the panels to ensure that no damage has occurred inside the package. Please report any damage immediately to your Authorized Archgard Dealer.

Before you begin:

- **Ensure the gas supply is turned OFF and disconnect the power supply (including backup batteries)**
- Open the Glass Door with Barrier Screen attached (see **Section 6.4**)
- Remove the log set (if installed - see **Section 16.0**)

**Step 1:** Lift the secondary air channels from the burner.

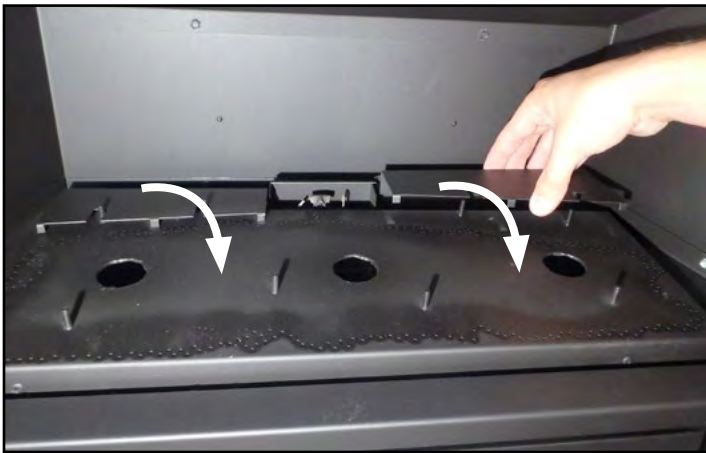


Figure 15.1.01:

**Step 2:** Loosen the (2) screws securing the burner surround at the back of the firebox.

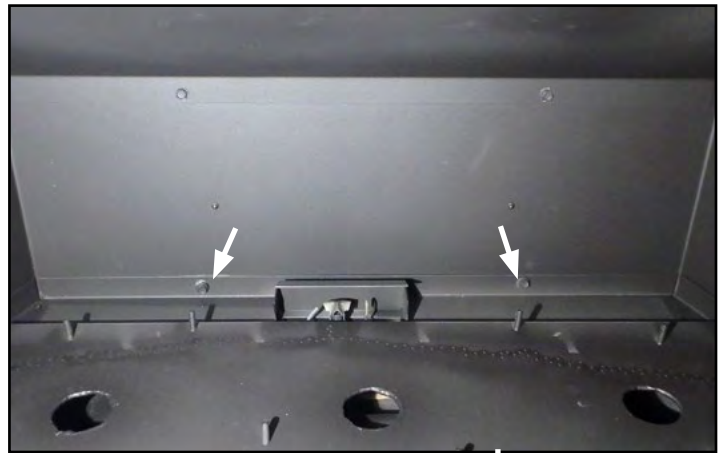


Figure 15.1.02:

**Step 3:** The lower brick clips are located in the manual bag with the fireplace.

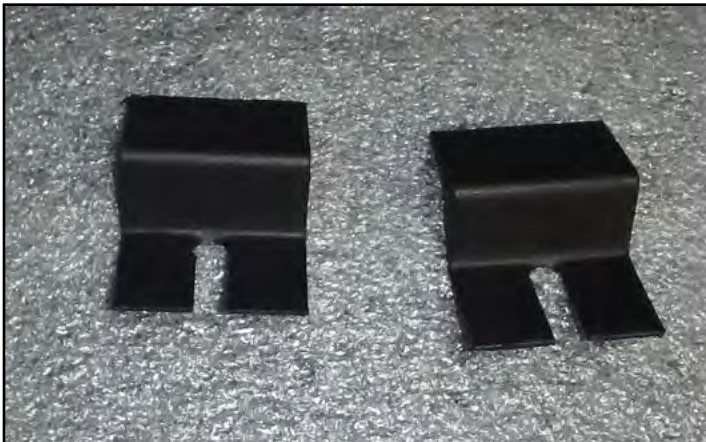


Figure 15.1.03:

**Step 4:** Slip the lower brick clips over the screws that were loosened in **Step 2**.

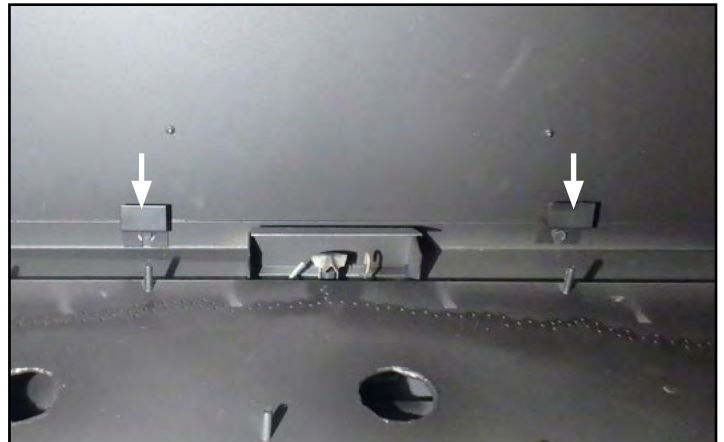


Figure 15.1.04:

# Installation

**Step 5:** Place the rear brick panel on top of the lower panel clips and tighten.



Figure 15.1.05:

**Step 6:** Slip the left or right side panel along the corresponding side of the firebox.



Figure 15.1.06:

**Step 7:** Secure the top of the side panel using an upper panel clip and screw (located in the manual bag with the fireplace).



Figure 15.1.07:

**Step 8:** Place the remaining side panel along the corresponding side of the firebox.



Figure 15.1.08:

**Step 9:** Install the final upper panel clip to complete the installation.



Figure 15.1.09:

## Final Steps:

- Install the secondary air channels that were removed in **Step 1**.
- Install the log set (see **Section 16.0**)
- Close the Glass Door with Barrier Screen (see **Section 6.4**)
- Resupply gas and power
- Light the fireplace to test the operation and flame appearance



# Installation

## 15.2 Reflective Glass Installation

The following steps highlight the procedure for installing the Reflective Ceramic Glass liner. We recommend using clean cotton gloves when handling panels. Handle the panels with care as they are delicate. Inspect the panels to ensure that no damage has occurred inside the package. Please report any damage immediately to your Authorized Archgard Dealer. Clean each panel with a soft cloth as you install them to remove any fingerprints as high temperatures can bake these prints on permanently.

Before you begin:

- **Ensure the gas supply is turned OFF and disconnect the power supply (including backup batteries)**
- Open the Glass Door with Barrier Screen attached (see **Section 6.4**)
- Remove the log set (if installed - see **Section 16.0**)

**Step 1:** Place the rear panel in the back of the firebox.



Figure 15.1.01:

**Step 2:** Place the left or right side panel along the corresponding side of the firebox. The side panels will hold the rear panel in place.



Figure 15.1.02:

**Step 3:** Install one of the upper panel clips in the top of the firebox to hold the top of the side panel in place.

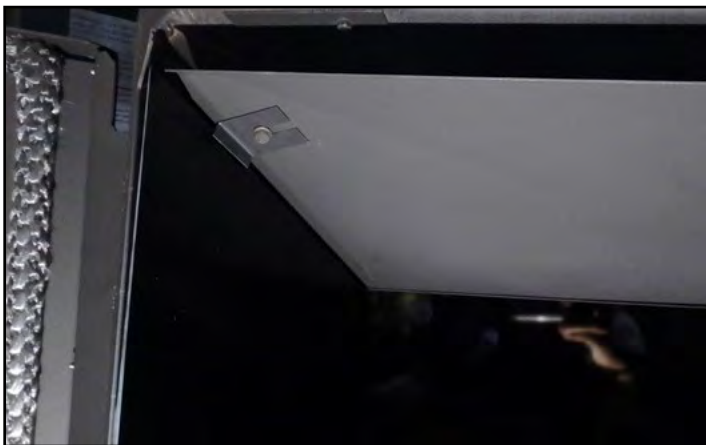


Figure 15.1.03:

**Step 4:** Place the other side panel along the remaining side of the firebox.



Figure 15.1.04:

# Installation

---

**Step 5:** Install the remaining upper panel clip to complete the installation.



**Figure 15.1.05:**

## **Final Steps:**

- Make sure panels are clean
- Install the log set (see **Section 16.0**)
- Close the Glass Door with Barrier Screen (see **Section 6.4**)
- Resupply gas and power
- Light the fireplace to test the operation and flame appearance

## 16.0 Log Set Installation

### WARNING

Failure to position the logs in accordance with the preceding diagrams or failure to use only parts specifically approved with this appliance may result in property damage or personal injury. Never use unapproved burner media such as rock wool or similar material. The use of unapproved burner media may cause damage or injury and will void product warranty.

Archgard high definition log sets are designed to provide a life-like fire bed from the day they are installed, through the years that follow. Care must be given when handling the logs as they can be damaged or broken if not handled properly. After opening the log set package, inspect the logs to ensure that no damage has occurred inside the package. Please report any damage immediately to your Authorized Archgard Dealer.

Gas and vent connection must be made before installing the embers and logs on the burner.

**CAUTION:** DO NOT block pilot opening with embers.

**NOTE:** Improper placement of logs and embers may cause soot accumulation on the internal parts and glass. This is not covered under warranty. Do not use broken or damaged logs.

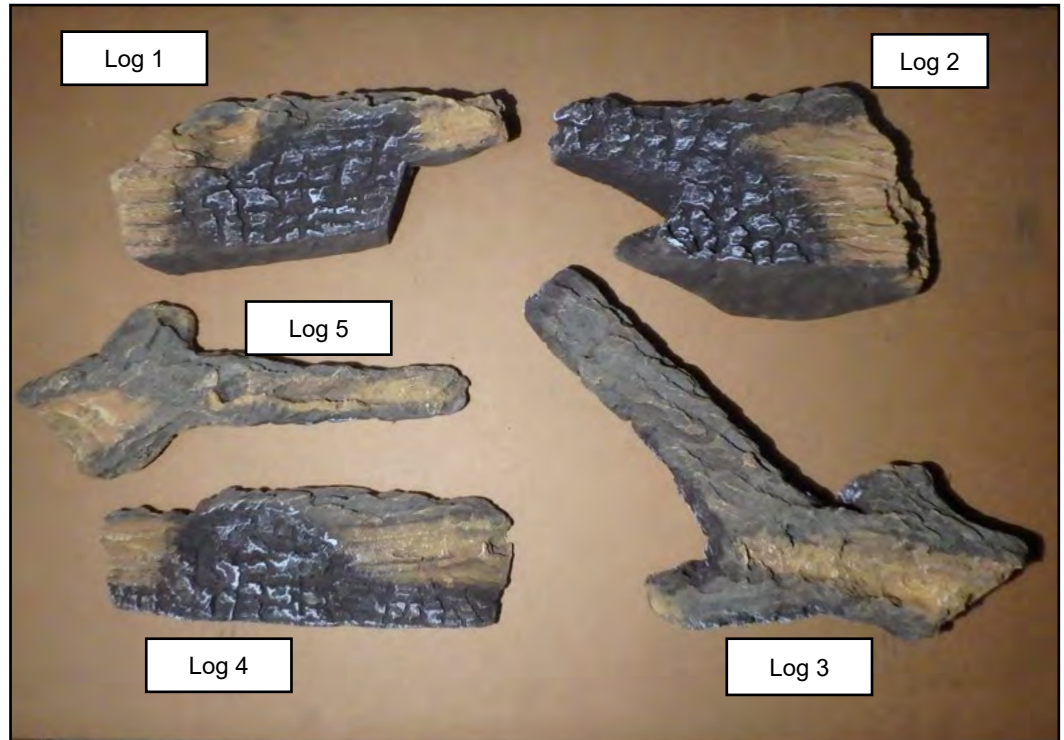


Figure 16.0.01: Logset overview

# Installation

**Step 1:** Place the secondary air channels in the back of the firebox (if they were removed).



Figure 16.0.01:

**Step 2:** Place Log 1 over the locator pins in the back left corner of the firebox.



Figure 16.0.02:

**Step 3:** Place Log 2 over the locator pins in the back right corner of the firebox.

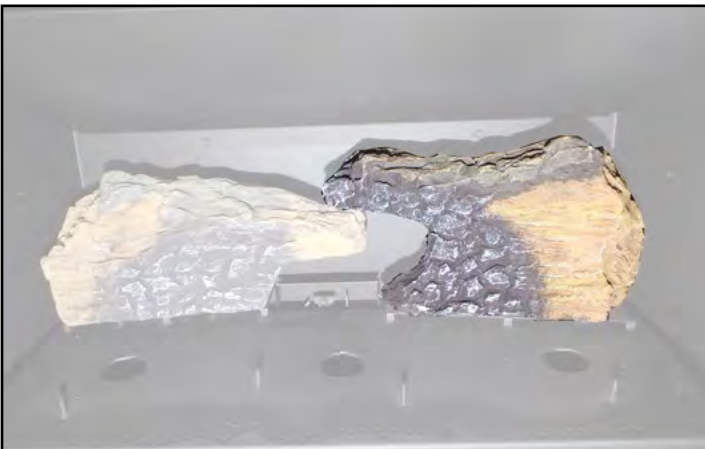


Figure 16.0.03:

**Step 4:** Place a row of black embers in front of Log 1 and Log 2. Do not block burner ports or the pilot opening with embers.



Figure 16.0.04:

**Step 5:** Make sure black embers are not blocking the secondary air under the secondary air channels placed in **Step 1**.



Figure 16.0.05:



Figure 16.0.06:

# Installation

**Step 6:** Place log 3 on the locator pins in the front, right corner of the firebox.



Figure 16.0.07:

**Step 7:** Place log 4 on the locator pins in the front, left corner of the firebox.



Figure 16.0.08:

**Step 8:** Place log between log 1 and log 4. Keep the log upright and forward. Do not block the ports on the left side of the burner with the log.



Figure 16.0.09:



Figure 16.0.10:

**Step 9:** Place black embers along the front of the burner and along the burner surround. Do not block burner ports or the gap between the burner and burner surround.

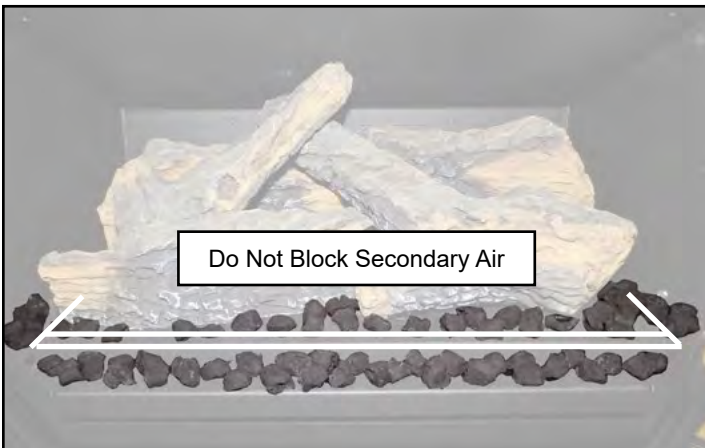


Figure 16.0.11:

**Step 10:** The platinum embers are located in the manual bag. Pull the platinum embers apart. Follow handling instructions on the platinum ember bag.

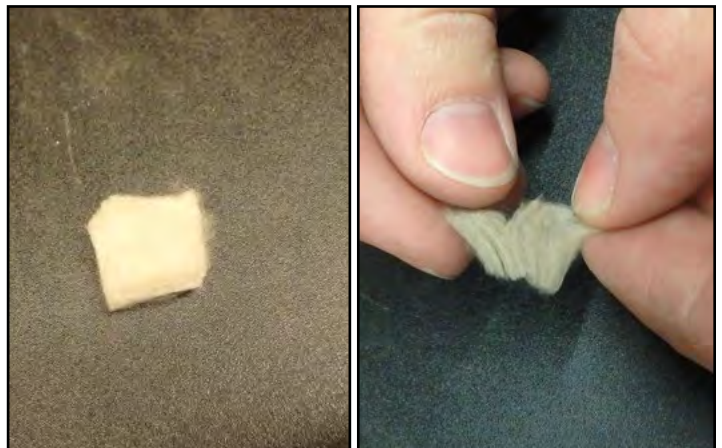


Figure 16.0.12:

# Installation

**Step 11:** Place the platinum embers randomly around the burner. Do not block burner ports.



Figure 16.0.12:

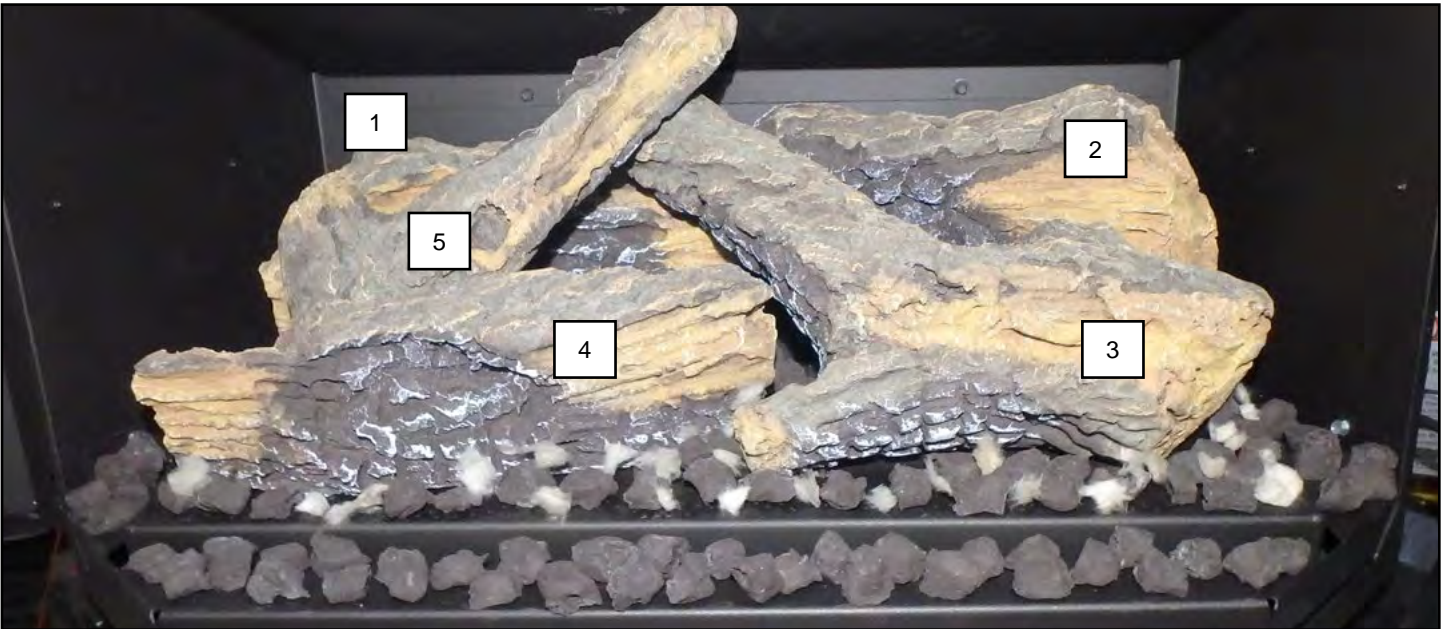


Figure 16.0.13: Log Install Overview

| Part #     | Item Description        | Qty   | Part #     | Item Description         | Qty |
|------------|-------------------------|-------|------------|--------------------------|-----|
| 310-6450   | High Definition Log Set | 1 Set | 310-6450-4 | Log 4 (Front Right)      | 1   |
| 310-6450-1 | Log 1 (Back Left)       | 1     | 310-6450-5 | Log 5 (Middle Left)      | 1   |
| 310-6450-2 | Log 2 (Back Right)      | 1     | 310-0019   | Platinum Embers (1 bag)  | 1   |
| 310-6450-3 | Log 3 (Front Left)      | 1     | 310-0020   | Black Embers (2 cup bag) | 1   |

## 17.0 Operation

### 17.1 Before Lighting

**WARNING: If you do not follow these instructions exactly, a fire or explosion may result causing property damage, personal injury or loss of life. Do not operate the appliance with the glass front removed, cracked or broken. Replacement of broken glass should be done by a licensed or qualified service person.**

Each Archgard Gas Fireplace is checked and tested at the factory prior to being packaged and shipped to our dealers and finally installed in your home. Archgard recommends that before leaving this unit with the customer, the installer must ensure that the appliance is firing correctly and that the electrical system is in working order. This will include:

1. Performing leak tests of supply line, gas control valve, supply line from gas control valve and pilot assembly.
2. Clocking the appliance to ensure the correct firing rate (see **Section 13.1** of this manual).
3. If required, adjusting the primary air to burner to ensure that the flame does not carbon or soot.
4. Checking for proper operation including correct drafting.
5. Turning the fireplace ON to ensure that the fan is working correctly. After the system has been checked and confirmed that the fan is in working order, refer to the instructions for FIRST FIRE located in this manual.

Use the installation checklist in **Section 5.0** to ensure all installation steps have been completed.

**Note:** Any alteration to this product that causes carbon or soot deposits that results in any damage or requires cleaning is not the responsibility of the manufacturer.

Do not store or use gasoline or other flammable vapors and liquids in the vicinity of this or any other appliance.

**WHAT TO DO IF YOU SMELL GAS:**

- Do not try to light any appliance.
- Do not touch any electrical switch; do not use any phone in your building.
- Immediately call your gas supplier from a neighbor's phone. Follow the gas supplier's instructions.
- If you cannot reach your gas supplier, call the fire department.

Installation and service must be performed by a qualified installer, service agency or the gas supplier.

1. **BEFORE LIGHTING**, smell all around the appliance area for gas. Be sure to smell next to the floor, because some gasses are heavier than air and will settle on the floor.
2. **IF YOU SMELL GAS**, follow the instructions as listed directly above or as shown on the front cover of this manual.
3. Do not use this appliance if any part has been under water. Immediately call a qualified service technician to inspect the appliance and to replace any part of the control system and any gas control which has been under water.
4. This appliance is equipped with an ignition device which automatically lights the pilot and main burner when operating the remote control.

### 17.2 First Fire

When operated for the first few times, the appliance will emit some odor and fumes. This is due to the heat from the appliance evaporating the oils and solvents used in fabricating the appliance. Close off the room to the rest of the house and open all windows. Keep the room well ventilated, as smoke alarm may sound. Run the appliance for at least 6 hours at maximum setting with blower set to OFF to allow paint to cure (after the installer has checked to ensure the fan is operational). Smoke and fumes caused by the curing process may cause discomfort to some individuals. Clean the glass door after this curing process has completed (see **Section 18.1**). Be sure there are no fingerprints left on the glass panels as high temperatures can bake these prints on permanently.

## 17.3 Lighting Instructions

The following information may be found on the fireplace rating label. See **Section 6.5** for the rating label location.

**FOR YOUR SAFETY READ BEFORE LIGHTING**  
**POUR VOTRE SÉCURITÉ VEUILLEZ LIRE AVANT L'ALLUMAGE**

**WARNING:** If you do not follow these instructions exactly, a fire of explosion may result causing property damage, personal injury or loss of life.

**AVERTISSEMENT:** Quiconque ne respecte pas à la lettre les instructions dans la présente notice risque de déclencher un incendie ou une explosion entraînant des dommages, des blessures ou la mort.

A. This appliance is equipped with an ignition device which automatically lights the pilot. Do not try to light the pilot by hand. When lighting the pilot follow these instructions exactly.

B. BEFORE OPERATING smell all around the appliance area for gas. Be sure to smell next to the floor because some gas is heavier than air and will settle on the floor.

WHAT TO DO IF YOU SMELL GAS

- Do not try to light any appliance.
- Do not touch any electrical switch; do not use any phone in your building.
- Immediately call your gas supplier from a neighbor's phone. Follow the gas supplier's instructions
- If you cannot reach your gas supplier, call the fire department.

C. Do not use this appliance if any part has been under water. Immediately call a qualified service technician to inspect the appliance and to replace any part of the control system and any gas control which has been under water.

A. Cet appareil est équipé d'un dispositif d'allumage qui allume automatiquement la veilleuse. N'essayez pas d'allumer la veilleuse à la main.. Respectez les instructions ci-dessous à la lettre.

B. AVANT D'ALLUMER la veilleuse, reniflez tout autour de l'appareil pour détecter une odeur de gaz. Reniflez près du plancher, car certains gaz sont plus lourds que l'air et peuvent s'accumuler au niveau du sol.

QUE FAIRE SI VOUS SENTEZ UNE ODEUR DE GAZ:

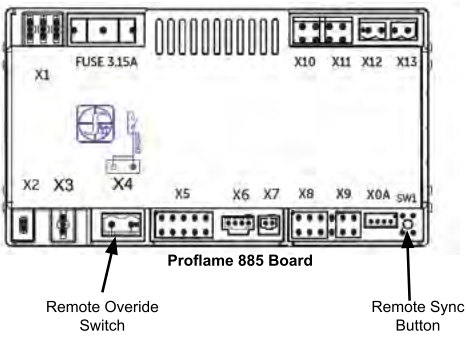
- Ne pas tenter d'allumer d'appareil
- Ne touchez à aucun interrupteur; ne pas vous servir des téléphones se trouvant dans le bâtiment
- Appelez immédiatement votre fournisseur de gaz depuis un voisin. Suivez les instructions du fournisseur.
- Si vous ne pouvez rejoindre le fournisseur, appelez le service des incendies.

C. N'utilisez pas cet appareil s'il a été plongé dans l'eau, même partiellement. Faites inspecter l'appareil par un technicien qualifié et remplacez toute partie du système de contrôle et toute commande qui ont été longés dans l'eau.

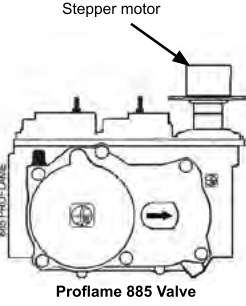
**LIGHTING INSTRUCTIONS**  
**INSTRUCTION D'ALLUMAGE**

1. STOP! Read the safety information above on this label. This appliance is equipped with an ignition device which automatically lights the pilot. Do not try to light the pilot by hand.
2. Set the remote control switch to "OFF".
3. Open the lower louvers, or remove trim and barrier screen.
4. Turn off all electric power to the appliance.
5. Open the gas isolation valve.
6. Wait 5 minutes to clear out any gas. Then smell for gas, including near the floor. If you smell gas, STOP! and follow "B" in the safety information above (and to the left) on this label. If you do not smell gas, go to the next step.
7. Turn on all electric power to the appliance.
8. Set the remote control switch to "ON".
9. If the fireplace does not light, the system will cycle through two trials (one minute of audible clicking, thirty seconds of silence, and then another one minute of audible clicking). If the system locks out due to inadequate gas flow, refer to troubleshooting in instruction manual.
10. If the system will not function correctly, follow the instructions "To turn Off Gas To Appliance" below and call your service technician or gas supplier.
11. Replace louver or trim.

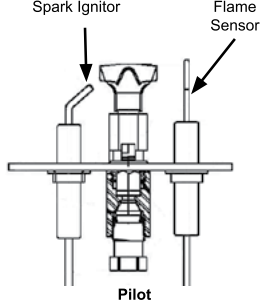
1. ARRÊTEZ! Lisez les instructions de sécurité sur la portion supérieure (à droite) de cette étiquette. Cet appareil est équipé d'un dispositif d'allumage qui allume automatiquement la veilleuse. N'essayez pas d'allumer la veilleuse à la main.
2. Réglez le commutateur à distance sur "OFF".
3. Ouvrez persiennes inférieurs ou garnir.
4. Coupez l'alimentation électrique de l'appareil.
5. Vanne d'isolement de gaz ouverte.
6. Attendez cinq (5) minutes pour laisser échapper tout le gaz. Reniflez tout autour de l'appareil, y compris près du plancher, pour détecter un odeur de gaz. Si vous sentez une odeur de gaz, ARRÊTEZ! Passez à l'étape B des instructions de sécurité sur la portion supérieure (à gauche) de cette étiquette. S'il n'y a pas d'odeur de gaz, passez à l'étape suivante.
7. Réglez le commutateur à distance sur "ON".
8. Allumez l'alimentation électrique de l'appareil.
9. Si le foyer ne se allume pas, le cycle de la volonté du système grâce à deux essais (une minute de clic audible, trente secondes de silence, et puis un autre une minute de clic audible). Si le système se bloque en raison de l'écoulement de gaz insuffisante, voir le dépannage dans le manuel d'instruction.
10. Si le système ne fonctionne pas correctement, suivez les instructions «Pour couper le gaz de l'appareil» ci-dessous et appelez votre technicien d'entretien ou fournisseur de gaz.
11. Persienne fermée ou garnir.



Proflame 885 Board



Proflame 885 Valve



Pilot

**TO TURN OFF GAS TO APPLIANCE**  
**POUR COUPER LE GAZ À L'APPAREIL**

1. Set the remote control switch to "OFF".
2. Turn off all electric power to the appliance if service is to be performed.
3. Open louver or access panel.
4. Turn incoming gas isolation valve to "OFF" position.
5. Close louver or trim.

1. Réglez le commutateur à distance sur "OFF".
2. Coupez l'alimentation électrique de l'appareil s'il faut procéder à l'entretien.
3. Ouvrez persiennes inférieurs ou porte d'accès.
4. Vanne d'isolement de gaz à proximité
5. Persienne fermée ou garnir.

Figure 17.3.1:



## 17.4 Dynamic Start Advantage

This fireplace comes standard with the Dynamic Start Advantage. This new electronic ignition system is the latest in fireplace technology. It helps to create a better draft, better flame appearance, less condensation on the glass, and years of carefree operation.

### How the system works:

When starting a solid fuel wood burning fireplace you build a fire. You start with a little bit of tinder and kindling to create small fire, and then work your way up to larger logs once a draft has been established. Dynamic Start uses the same principle. When you press the "ON" button on the remote control the main burner will light and remain with a low flame for two minutes. This will first establish a draft in the vent and slowly warm up the fireplace. When two minutes have passed, the main burner will automatically ramp up to the high flame (or whichever setting you have established on the remote control).

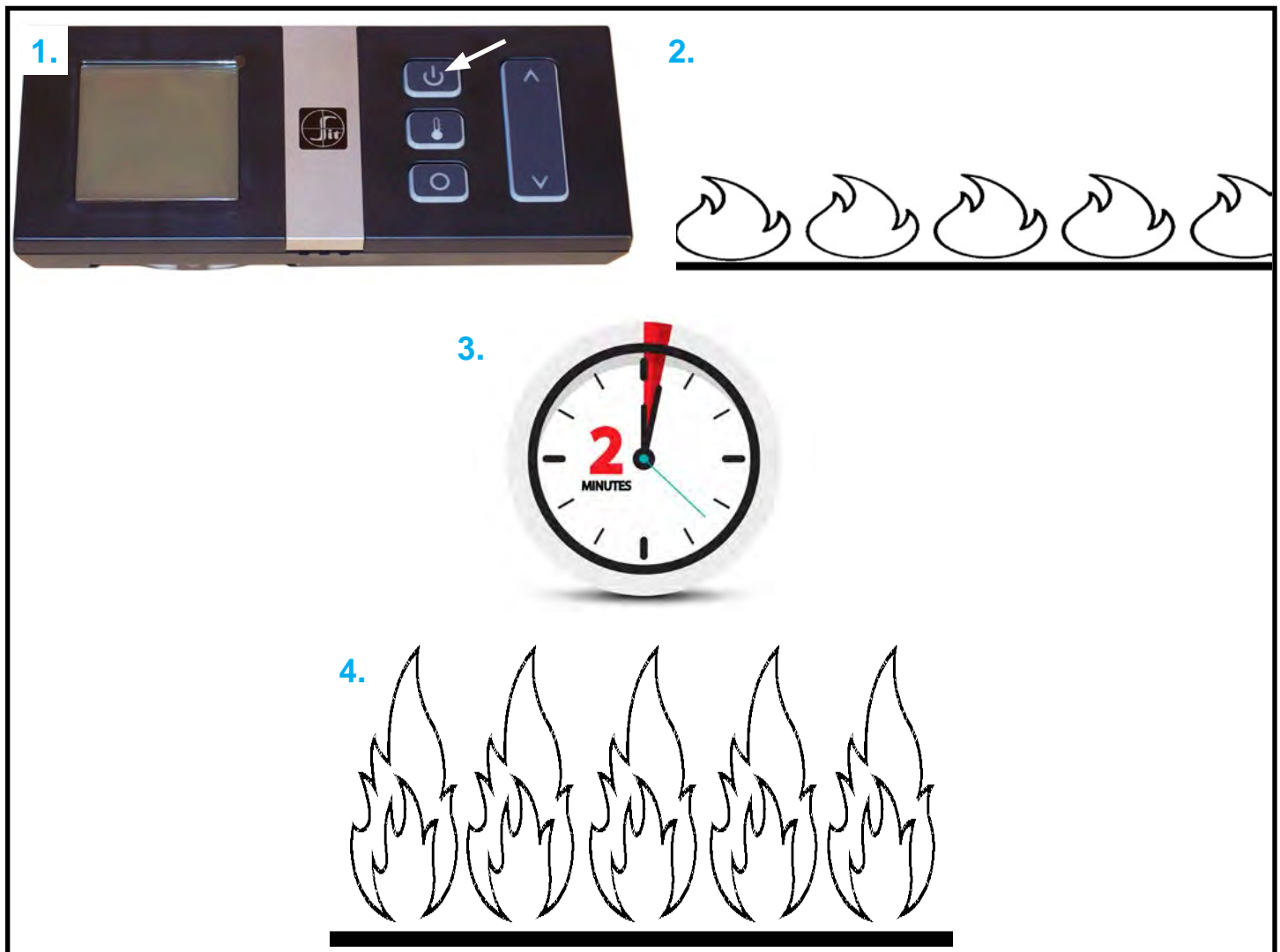


Figure 17.4.01

## 17.5 Remote Control Operation

### IMPORTANT

The Proflame II Remote is an integrated part of the Proflame II System, which consists of a Proflame II Remote, to be used in conjunction with Integrated Fireplace Control (Proflame II Control Module).



Figure 17.5.01

The Proflame II Remote provides for controlling the following hearth appliance functions:

1. Main Burner ON/OFF
2. Main Burner flame modulation (6 levels)
3. Choice of Continuous Pilot on Demand or intermittent pilot (CPI/IPI)
4. Manual, Thermostat, and SMART thermostat functions
5. Comfort fan speed modulation (6 levels)

The Proflame II Remote uses a streamline design with a simple button layout and informative LCD display. A Mode Key is provided to index between the features and a Thermostat Key is used for on/off or to index through the thermostat function. Additionally a Key Lock function is provided.

### ATTENTION

- TURN OFF THE MAIN GAS SUPPLY DURING INSTALLATION OR MAINTENANCE OF THE RECEIVER DEVICE
- TURN OFF MAIN GAS SUPPLY TO THE APPLIANCE PRIOR TO REMOVING OR REINSERTING THE BATTERIES
- IN CASE OF REMOTE CONTROL MALFUNCTION TURN OFF THE FIREPLACE BY REMOVING POWER SUPPLY (INCLUDING BACKUP BATTERIES)
- FOR INSTALLATION/MAINTENANCE SWITCH OFF THE FIREPLACE BY REMOVING POWER SUPPLY (INCLUDING BACKUP BATTERIES)

#### Technical Data - Remote Control

|                             |                                      |
|-----------------------------|--------------------------------------|
| Supply Voltage              | 4.5 V (three (3) 1.5V AAA batteries) |
| Ambient temperature ratings | 0 - 50°C (32 - 122°F)                |
| Radio Frequency             | 315 MHz                              |

# Operation

## Remote Display

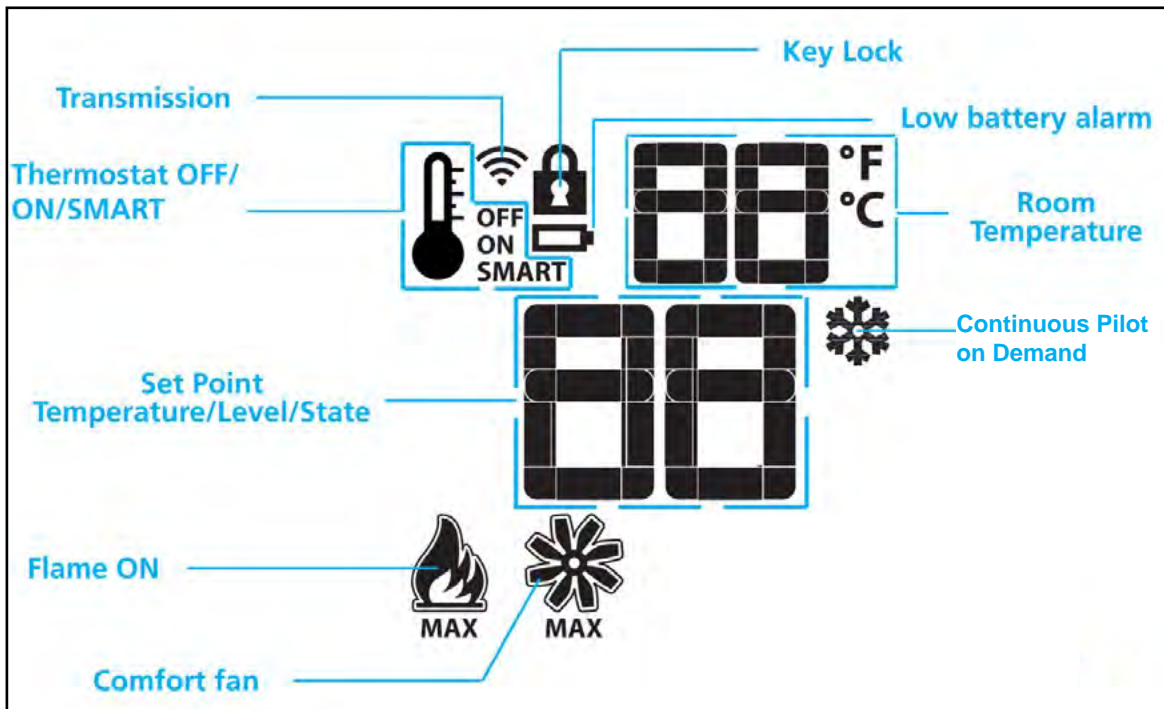


Figure 17.5.02

## WARNING

THE REMOTE AND RECEIVER ARE RADIO FREQUENCY DEVICES. PLACING THE REMOTE IN OR NEAR METAL ENCLOSURES MAY REDUCE THE SIGNAL RANGE.

## Handheld Remote (optional)



Figure 17.5.03

# Operation

## Initializing the System for Handheld / Wall Mount Remote Operation

1. Connect IFC Control Module to AC power supply. A single beep will indicate the presence of power. **NOTE: This will initiate Pilot Start-up in Manual Mode. The pilot will spark repeatedly and ignite if gas has been supplied to the unit. Sync the control board to the remote to turn main burner and pilot off using the steps below.**
2. The ON/OFF Override Jumper on the control board must be connected.
3. Press and hold the red SW1 button until the IFC module beeps three (3) times and/or the amber LED illuminates indicating the module is ready to synchronize with the remote.
4. Within ten (10) seconds push the ON/OFF key on the remote. The IFC module will beep four (4) times to indicate that it has successfully synced with the remote. Turn the fireplace OFF using the ON/OFF button on the remote to complete initialization. The remote will now control the fireplace.
5. Install the provided four (4) AA batteries into battery back up holder.

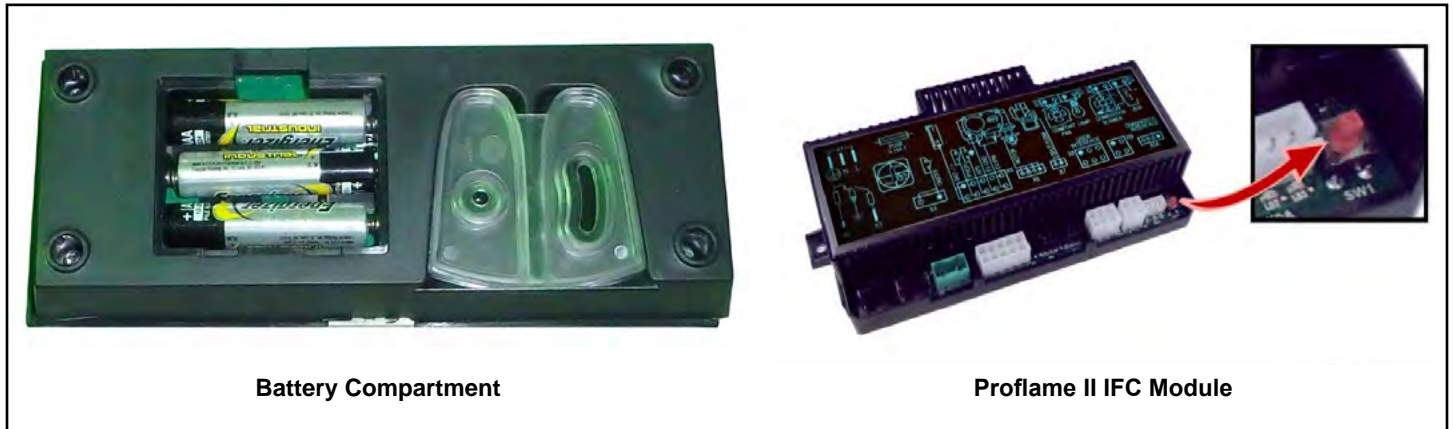


Figure 17.5.04:

### Turn ON the Appliance

With the system OFF, press the ON/OFF Key on the Remote. The Remote display will show other active icons on the screen. At the same time the Receiver will activate the appliance. A single beep from the receiver will confirm reception of the command.

### Turn OFF the Appliance

With the system ON, press the ON/OFF Key on the Remote. The Remote display will show the current room temperature. At the same time the Receiver will turn the appliance off. A single beep from the receiver will confirm reception of the command.

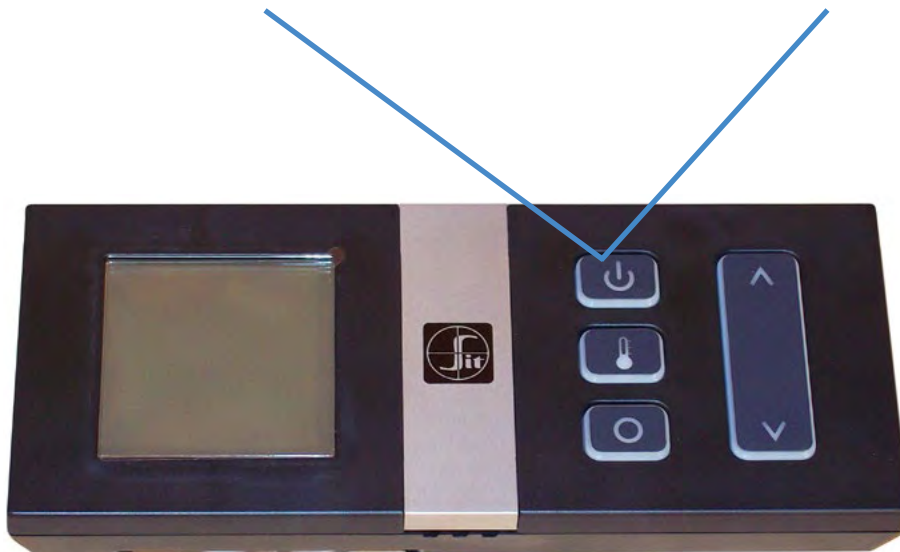


Figure 17.5.05:

# Operation

## Temperature Indication Display

With the system in the OFF position, press the Thermostat Key and the Mode Key at the same time to switch between Fahrenheit (F) or Celsius (C). Verify on the LCD screen the correct designation is visible.

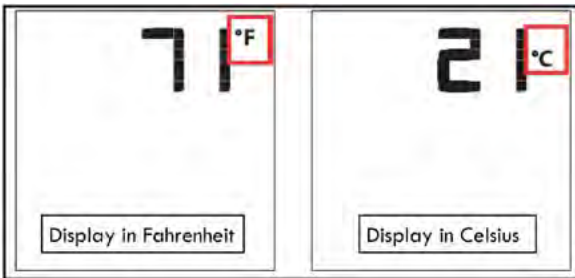


Figure 17.5.06:

## Variable Flame Control

This function is disabled when in SMART Thermostat Mode and does not operate in the first two minutes of operation during the Dynamic Start Advantage.

The Proflame II IFC has six (6) flame levels. With the system ON and the flame at maximum in the appliance, pressing the Down Arrow Key once will reduce the flame height by one step. Repeat to lower the flame till OFF. With flame OFF in this configuration, fan and lights will still be operational.

The UP Arrow Key will increase the flame height each time it is pressed.

If the UP Arrow Key is pressed while the system is on but the flame is off, the flame will activate in the high setting.

A single beep will confirm reception of the command.

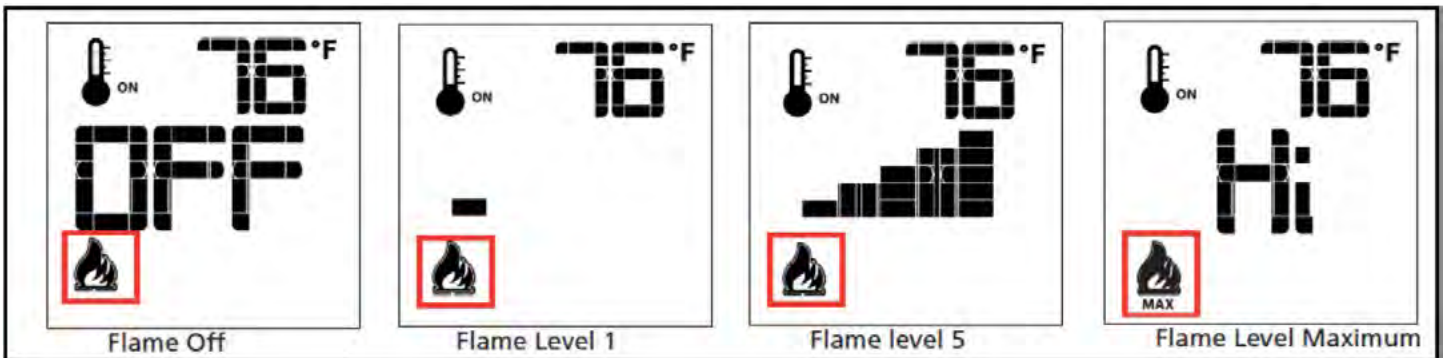


Figure 17.5.07:

## Fan Speed Control

If the appliance is equipped with a hot air circulating fan, the speed of the fan can be controlled by the Proflame II system. The fan speed can be adjusted through six (6) speeds. To activate this function use the Mode Key to index to the fan control icon. Use the Up/Down Arrow Keys to turn on, off or adjust the fan speed. A single beep will confirm reception of the command.

In manual mode the fan will activate immediately upon burner ignition. Adjust the fan speed to personal preference. Blower will shut off when the burner is extinguished.

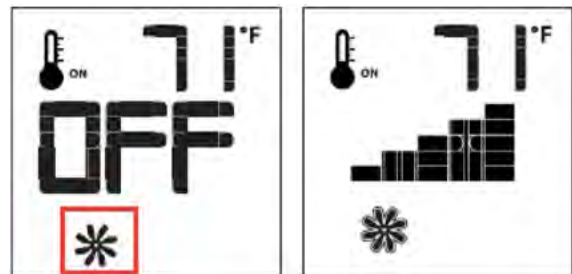


Figure 17.5.08:

# Operation

## Room Thermostat (Remote Operation)

The Remote Control can operate as a room thermostat. The thermostat can be set to a desired temperature to control the comfort level in a room.

To activate this function:

- Press the Thermostat Key. The LCD display on the remote will change to show that the room thermostat is ON and the set temperature is now active
- To adjust the temperature, press the Up/Down Arrow Keys until the desired temperature is displayed

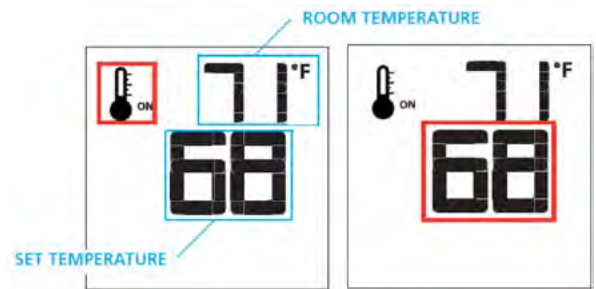


Figure 17.5.09:

## SMART Thermostat (Remote Operation)

The Smart Thermostat function adjusts the flame height automatically in accordance to the difference between the set point and the actual room temperature. As the room temperature approaches the set point, the Smart Function will modulate the flame down.

To activate this function:

- Press the Thermostat Key until the word “SMART” appears to the right of the temperature bulb graphic
- To adjust the set temperature, press the Up/Down Arrow Keys until the desired set temperature is displayed

## NOTE

When the fireplace is started in Smart Thermostat mode:

1. The fan will automatically activate 5min after ignition and shut down 12min after fire is turned off.
2. Manual Flame height adjustment is disabled.

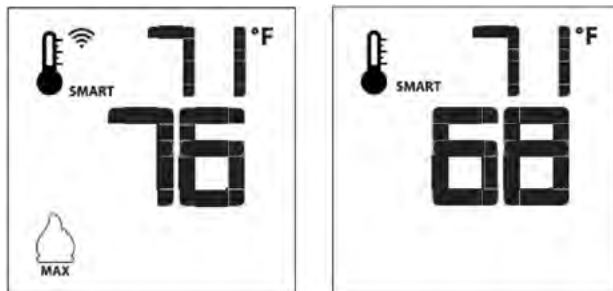


Figure 17.5.10:

## Continuous Pilot on Demand / Intermittent Pilot (CPI/IPI) Selection

With the system in “OFF” position press the Mode Key to index to the CPI mode icon.

Pressing the UP Arrow Key will activate the Continuous Pilot on Demand Ignition mode (CPI). Pressing the Down Arrow Key will return to IPI. A single “beep” will confirm the reception of the command.



Figure 17.5.11:

## CPI vs IPI:

**Continuous Pilot on Demand Ignition (CPI):** In this mode the pilot runs continuously even when the main burner is off. The Continuous Pilot on Demand Ignition operates on a seven day cycle. If the main burner is not turned on for seven continuous days, the pilot will turn itself off. When the main burner is lit again the cycle repeats. The pilot will remain lit for seven days, even after the main burner is turned off. If the main burner is lit during a seven day timing cycle, the seven day timer will reset.

**Intermittent Pilot Ignition (IPI):** A fuel saving mode in which the pilot is only used when the main burner is on.

This appliance is shipped in IPI mode. IPI mode is often the preferred method, however, there are some situations where it may be preferable to switch the fireplace into CPI mode. For example, in colder climates the glass door or the front of the fireplace could become very cold to the touch. Dynamic Start Advantage will solve most problems experienced by older IPI operated fireplaces.

# Operation

## Automatic Safety Shut-Off

This system will execute an automatic turn OFF command after a 24hr continuous main burner flame ignition. This allows the system to verify correct safety functions.

## Diagnostic Indications Information

### LOW BATTERY CONDITION (Less than 4V):

#### Remote Control

- Battery Icon will appear on LCD remote control display. Replace batteries.

#### Battery Back-up

- Red LED indicator will enter a (1) blink sequence. IFC Module will emit a double-beep when it receives an ON/OFF command from the hand held remote. Replace batteries.

#### Pilot Flame Error Condition:

- Red LED Indicator will commence a (2) blink sequence. Contact your dealer if this occurs.

#### System Lock Out Condition:

- Red LED Indicator will commence a (3) blink sequence. Make sure your gas is turned on.
- Make sure pilot sensor is not shorted out.
- If the system is in a locked state, reset the IFC module as follows: Turn off all power to the IFC module for at least 2 seconds (including the backup battery pack), then restore power to the IFC module.

### Key Lock

This function will lock the keys to avoid unsupervised operation.

- To activate this function, press the MODE and UP Keys at the same time
- To deactivate this function, press the MODE and UP Keys at the same time

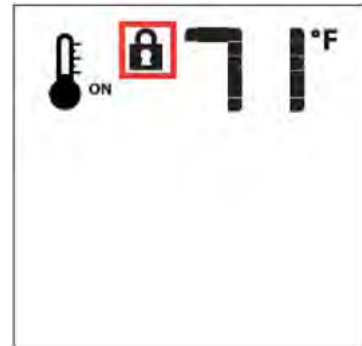


Figure 17.5.12:

### Low Battery Power Detection (Less than 4V)

#### Remote

The life span of the remote control batteries depend on various factors:

- Quality of the batteries used
- The number of ignitions of the appliance
- The number of changes to the room temperature set point, etc

When the Remote batteries are low, a Battery Icon will appear on the LCD display of the Remote before all battery power is lost. When the batteries are replaced this Icon will disappear.



Figure 17.5.13:

### BACKUP BATTERY PACK (used when 120V home electrical power is interrupted):

- Red LED indicator on the IFC Module will enter a (1) blink sequence
- Backup batteries lifespan depends on various factors including battery quality, number of ignitions, changes to room thermostat set point, etc. When batteries are low, a double beep will be emitted from the IFC control module when it receives an ON/OFF command from the remote control
- This is an alert for a low battery condition of the backup batteries and after this double-beep warning, no commands will be accepted until batteries are replaced
- When batteries are replaced a beep will be emitted from IFC control module as soon as powered

## 18.0 Maintenance

**CAUTION:**

Do not conduct maintenance on the appliance while it is operating or while it is still hot. Always verify proper operation after servicing.

### 18.1 Cleaning and Routine Maintenance

The exterior painted surfaces, glass, and metal plated trims may be cleaned with a soft, non-abrasive cloth and water or a suitable, mild, non-abrasive cleaner. Be sure there are no fingerprints left on the glass panels as high temperatures can bake these prints on permanently.

**Regularly:**

- Frequent cleaning of the ceramic glass is recommended. We recommend using a good quality ammonia free gas fireplace glass cleaner that is available at any hearth retail location. Take care to avoid scratching glass while cleaning. **DO NOT CLEAN WHILE HOT.** Never use common household cleaners to clean the glass.
- Keep the appliance area free from combustible materials, such as paper, wood, clothing, gasoline and flammable solids, liquids and vapors
- Visually check the height and color of the burner and pilot flames

**Once a year, have a qualified service technician:**

- Perform the regular services listed above
- Inspect and operate the pressure relief mechanism (door buckles) to verify they are free from obstruction and operate properly
- Carefully remove the logs and gently brush off any loose carbon deposits. This job is best done outside the house, wearing a dust mask. The logs are very fragile, take care not to break them. Do not wash logs with any liquid. While the logs are removed, check that all burner openings are not obstructed and it is recommended you use a vacuum cleaner to clean off any dust or lint
- After cleaning, the logs and embers must be replaced according to the instructions in this manual
- Vacuum and clean any lint accumulations or debris in the firebox, on the burners, on the pilot, at the primary air opening, on the convection air blower and in any combustion and convection air passageways
- Inspect the operation of the flame safety system pilot and gas valve
- Inspect and ensure the lighting of the main burner occurs within 4 seconds of the main gas valve opening. Flames should match those shown in **Figure 18.5.01**
- Completely inspect the appliance and the venting system, if the vent pipe or seal is found to be defective, replace and or reseal (follow the instructions found in the venting instructions, **Section 10.0**)
- Inspect the condition of the vent and vent terminal for sooting or obstruction and correct if present
- Test and measure the flame failure response time of the flame safety system. It must de-energize the safety shutoff in no more than 30 seconds
- Check all accessible gas-carrying tubes, connections, pipes and other components for leaks

**WARNING: All parts removed or disturbed, including guards and grills, must be properly replaced after maintenance. Service and repair must be conducted by a qualified service person. If these instructions are not followed, a fire or explosion may result, causing property damage, personal injury or loss of life.**



## 18.2 Servicing Under Warranty

All service work under warranty must be conducted by a qualified Archgard service technician. Before servicing, read the terms and conditions of the warranty at the back of this manual. Contact the authorized Archgard dealer where you purchased the appliance from and provide them with details of the problem, along with the initial installation information (from the front of this manual).

**WARNING:** Servicing of this appliance **must be conducted by a qualified Archgard service technician**. Improper servicing, adjustment or alteration of this appliance may cause property damage, personal injury or loss of life. All servicing should be conducted with the appliance cold. All replacement parts must be authorized by Archgard for suitability.

## 18.3 Checking Inlet and Outlet Pressure

1. Remove the surround.
2. The pressure test taps are located on the valve's front face. The inlet is marked "IN" and the outlet is marked "OUT". See **Figure 18.3.01**.
3. Loosen the set screw inside the tap with a 3/16" flathead screwdriver.
4. Connect a 1/4" (6 mm) rubber tube to the tap post and a manometer.
5. Verify that the readings obtained are within specs (as shown on the appliance rating label)
6. Be sure to tighten the set screw inside the tap after you have finished taking pressure readings.
7. Check for leaks.

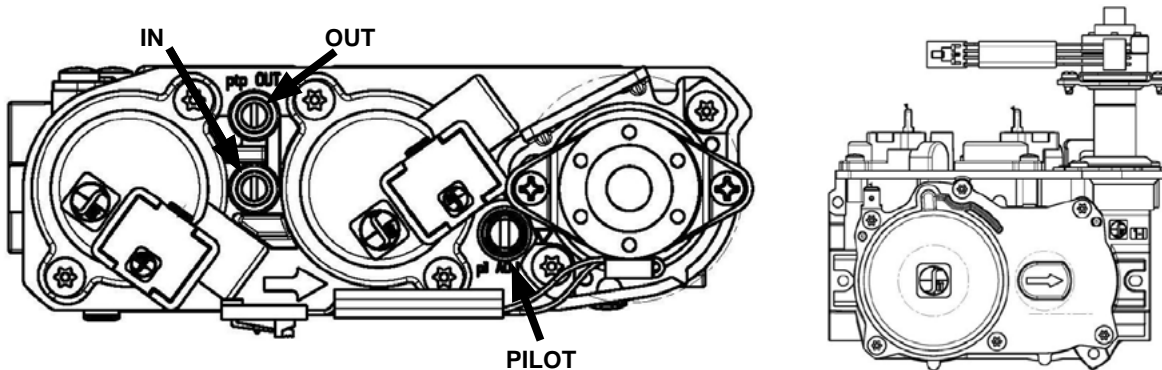


Figure 18.3.01

## 18.4 Checking and Adjusting Pilot

The pilot flames should have the characteristics shown in the illustration to the right.

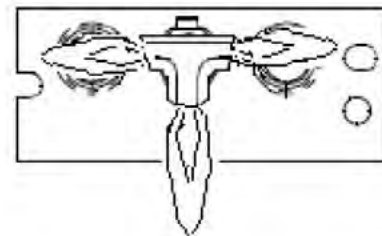


Figure 18.4.01

The flame should not have yellow tips but should engulf the flame sensor and spark electrode. It can be adjusted by turning the screw marked "pilot" on the control valve (See **Figure 18.3.01**).

It may be necessary to remove the pilot cover for a better view of the pilot flame (see next page).

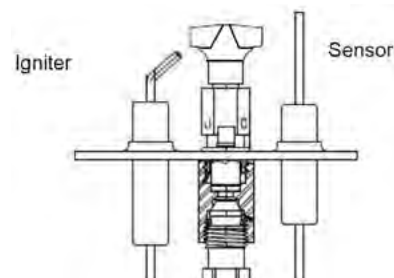


Figure 18.4.02

## 18.5 Adjusting the Primary Air

The 45-DVFE28LN-1 includes an air shutter located under the door of the fireplace which may be used to adjust the primary air to achieve the ideal flame as shown in **Figure 18.5.01**. To adjust, loosen the wing nut on the air shutter and adjust as shown in **Figure 18.5.02**. To open the air shutter and increase air flow to the burner, slide the air shutter to the left. To close the air shutter and decrease air flow to the burner, slide the air shutter to the right.

**CAUTION:** Do not adjust primary air below specified opening on the rating label.

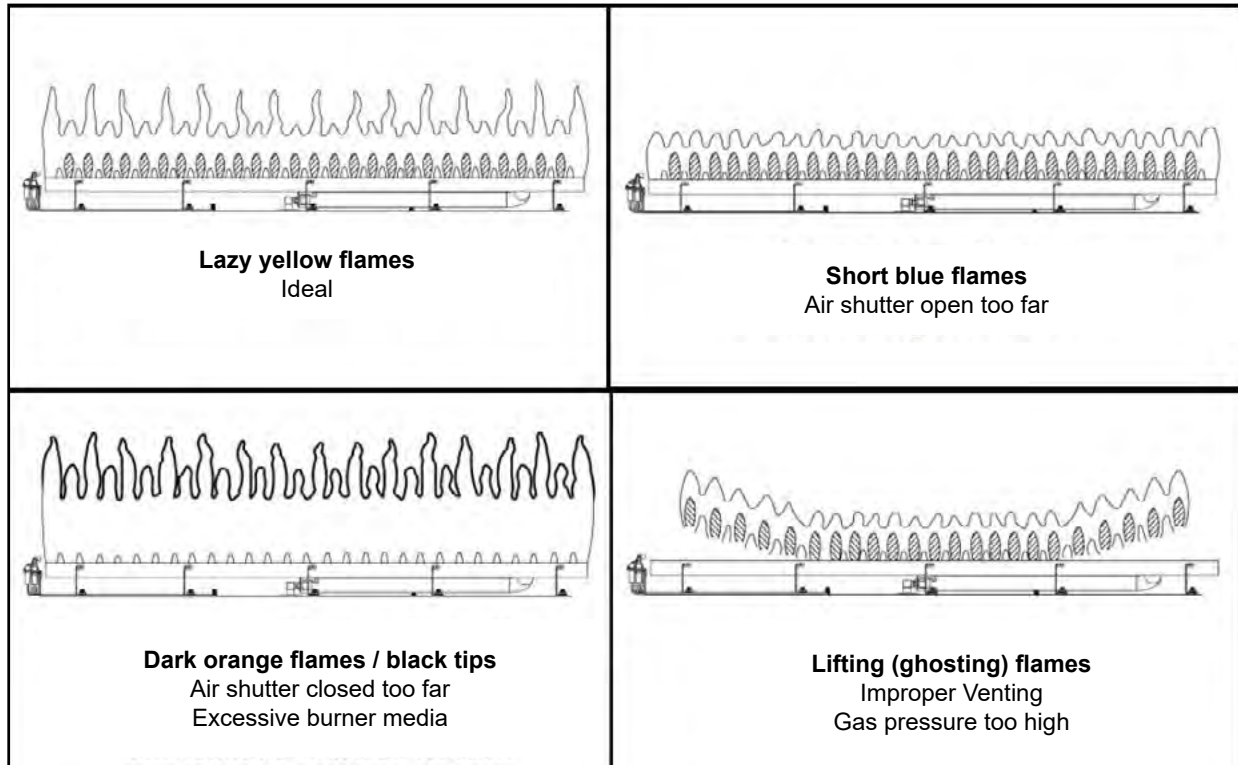


Figure 18.5.01:

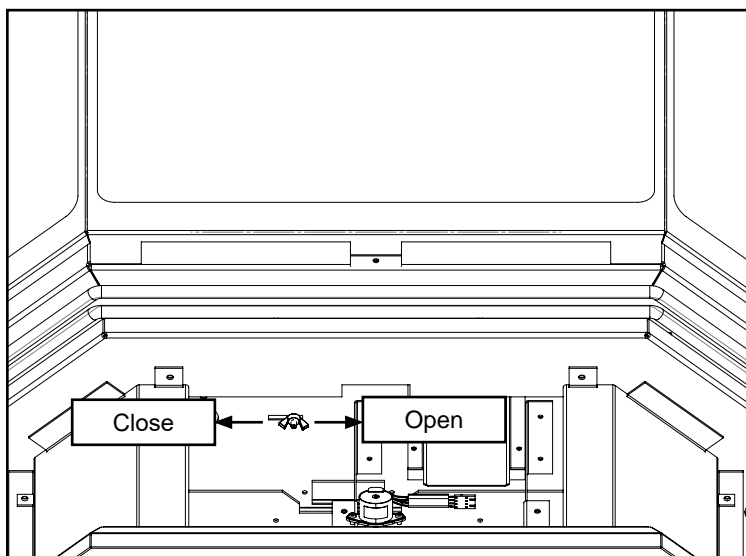


Figure 18.5.02: Air Shutter Adjustment Wingnut (as viewed from underneath the firebox).

## 18.6 Replacing Batteries

1. **Disconnect power supply to the fireplace.**
2. **Ensure the fireplace is off and cool before servicing.**
3. **Turn off gas supply.**
4. Open the Control Access Door (see **Section 6.4**).
5. The battery holder is affixed to the back side of the Control Access Door using velcro - Pull the battery holder from the door.
6. Replace the batteries.
7. Use the velcro to replace the battery holder.
8. Pack the wires neatly down and away from the firebox.
9. Resupply gas and power.
10. Turn the fireplace on and unplug the fireplace to test the backup batteries.

**Battery Specifications:** 4 x AA Batteries

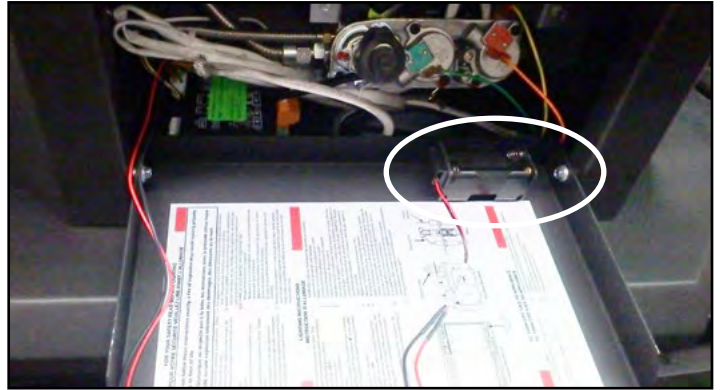


Figure 18.6.01:



Figure 18.6.02:

## 18.7 Replacing Fuse

1. **Disconnect power supply to the fireplace (including backup batteries).**
2. **Ensure the fireplace is off and cool before servicing.**
3. **Turn off gas supply.**
4. Open the Control Access Door (see **Section 6.4**).
5. The control board is affixed to the bottom of the fireplace pedestal using velcro - Pull the control board from the fireplace.
6. Remove the fuse holder shown in **Figure 18.7.01**.

Installation is the reverse of removal.

**Fuse type:** T3.15A/250V

**Archgard Part Number:** RP-305-2080



Figure 18.7.01:

## 18.8 Replacing the Control Board

**CAUTION:** Label all wires prior to disconnection when servicing controls. Wiring errors can cause improper and dangerous operation. Verify proper operation after servicing. This appliance, when installed, must be electrically grounded in accordance with local codes or, in the absence of local codes, with the **National Electrical Code, ANSI/NFPA 70, or the Canadian Electrical code, CSA C22.1.**

### Before you begin:

- Ensure the fireplace is off and cool before servicing
- Disconnect power supply to the fireplace (including backup batteries)
- Turn off gas supply
- Open the Control Access Door (see **Section 6.4**)
- The Control Board is attached to the bottom of the pedestal using velcro. Pull the Control Board outward to remove

1. Mark all the wires connected to the control board as you unplug them from the control board.
2. Make sure you pull the 2-pin connector as shown in **Figure 18.8.02**.
3. Plug the wires and the 2-Pin connector into the new control board.
4. Place the new control board on the bottom of the pedestal by aligning the velcro on the control board with the velcro on the bottom of the pedestal.

**Note:** Keep wires tidy and organized away from the firebox when placing the control board back inside the pedestal.

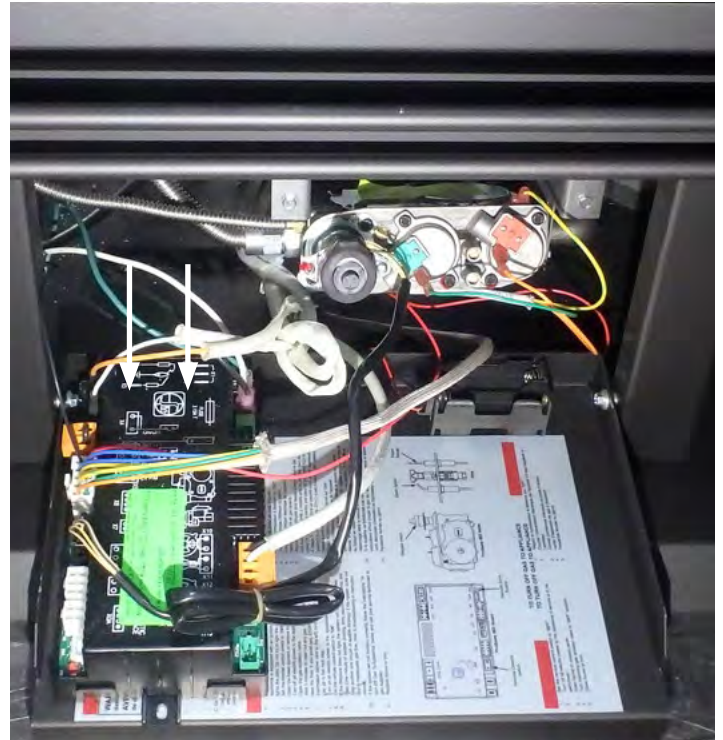


Figure 18.8.01:

### Final steps:

- Resupply gas to the fireplace
- Resupply power to the fireplace
- Light the fireplace and check for operation and flame appearance. See **Section 17** and **Section 18.5**.



Figure 18.8.02:

## 18.9 Wiring Schematic

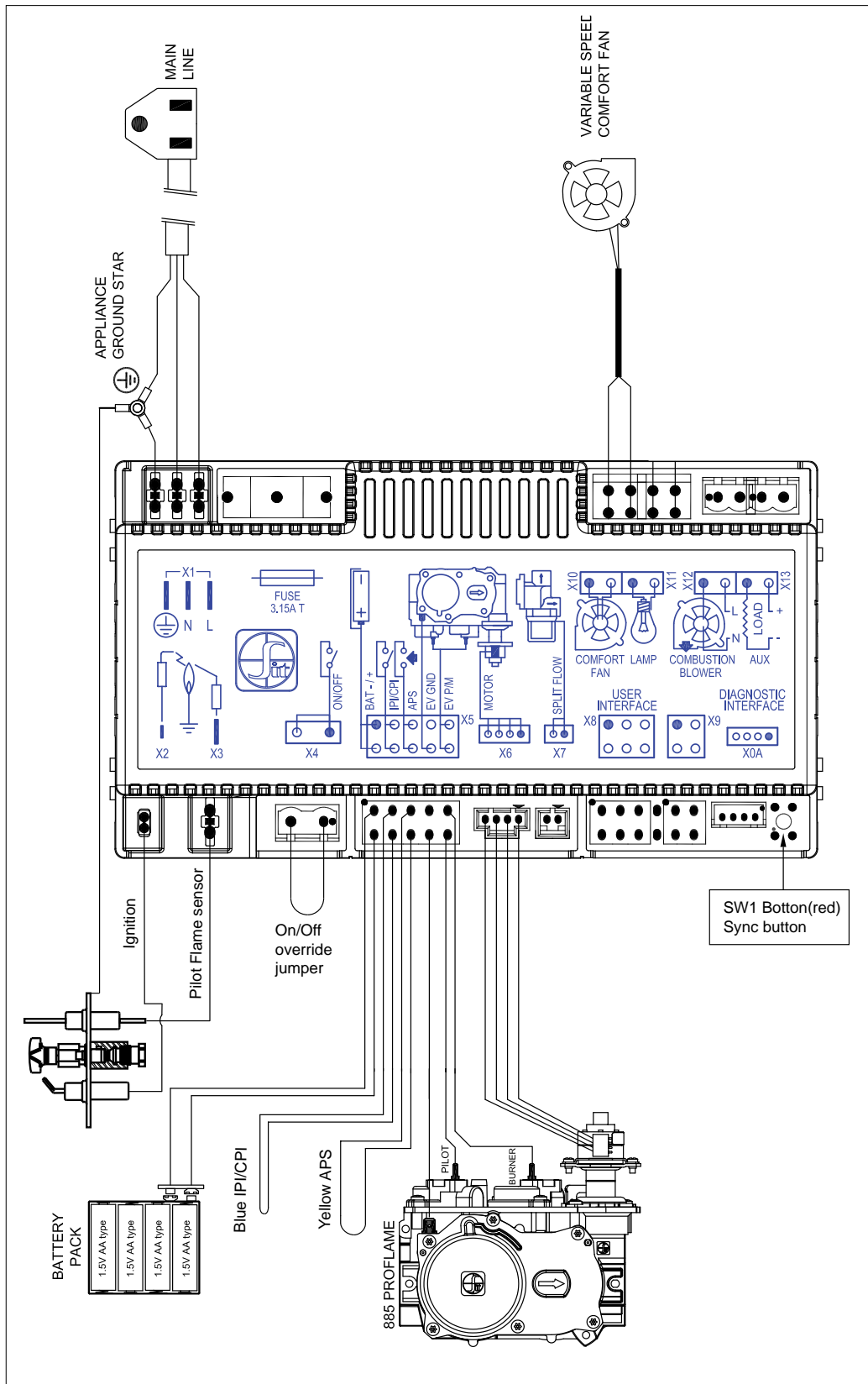


Figure 18.9.01

## 18.10 Removing the Baffle

It may be necessary or more convenient to remove the baffle depending on available tools when performing maintenance within the firebox.

### Before you begin:

- Ensure the fireplace is off and cool before servicing
- **Ensure the gas supply is turned OFF and disconnect the power supply (including backup batteries)**
- Open the door with barrier screen (see **Section 6.3**)
- Remove the logset (see **Section 16**)
- Remove the panel set (if installed, see **Section 15**)

**Step 1:** Remove the (2) tek screws securing the baffle to the back of the firebox.



Figure 18.10.01:

**Step 2:** Remove the tek screw securing the left side of the firebox.



Figure 18.10.02:

**Step 3:** While supporting the baffle, remove the remaining screw from the right side of the firebox.



Figure 18.10.03:

Installation is the reverse of removal.

## 18.11 Removing the Burner Surround

### Before you begin:

- Ensure the fireplace is off and cool before servicing
- **Ensure the gas supply is turned OFF and disconnect the power supply (including backup batteries)**
- Open the door with barrier screen (see **Section 6.3**)
- Remove the logset (see **Section 16**)
- Remove the panel set (if installed, see **Section 15**)

**Step 1:** Lift and remove the secondary air channels.

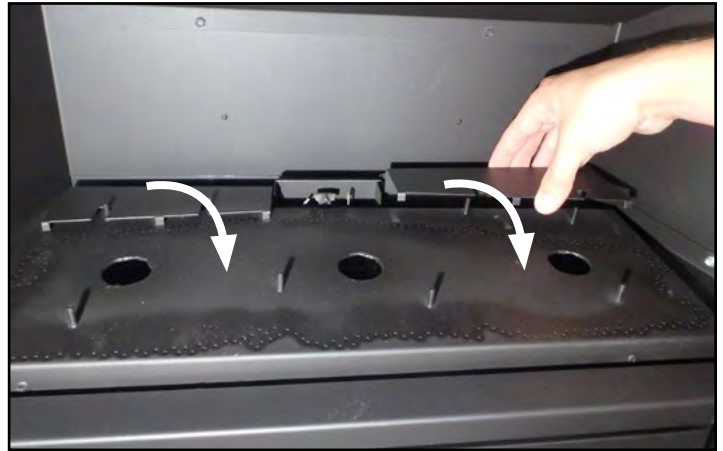


Figure 18.11.01:

**Step 2:** Remove the (4) 1/4" tek screws securing the burner surround.

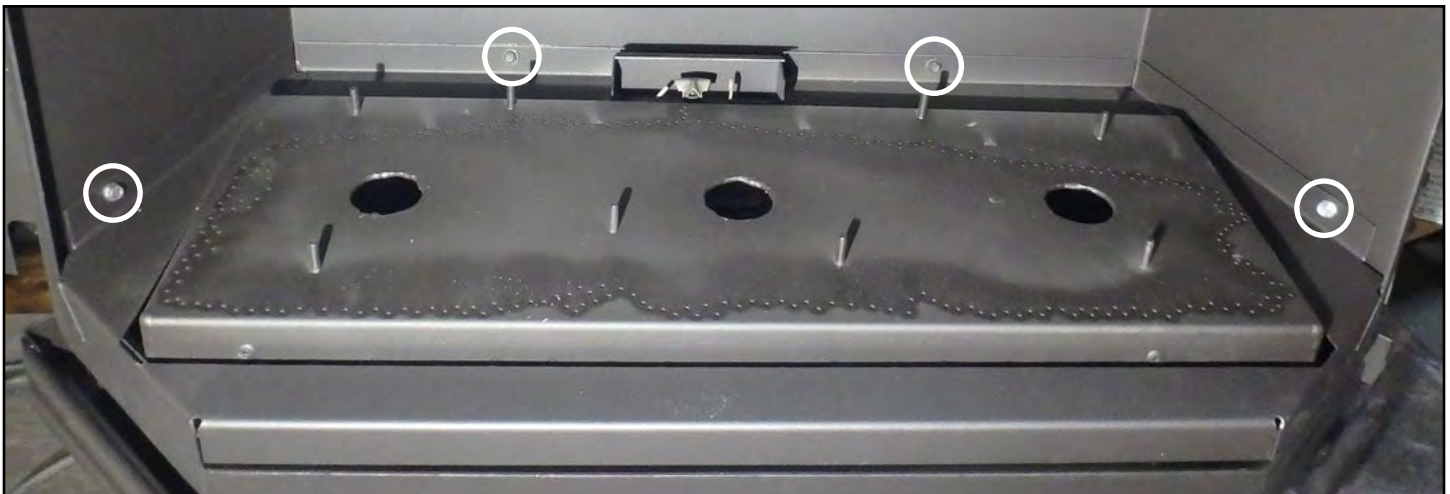


Figure 18.11.02:

**Step 3:** Lift the burner surround to remove from the firebox.



Figure 18.11.03:

Installation is the reverse of removal.

## 18.12 Replacing the Burner

### Before you begin:

- Ensure the fireplace is off and cool before servicing
- **Ensure the gas supply is turned OFF and disconnect the power supply (including backup batteries)**
- Open the door with barrier screen (see **Section 6.3**)
- Remove the logset (see **Section 16**)
- Remove the panel set (if installed, see **Section 15**)
- Remove the Burner Surround (see **Section 18.11**)
- Open the Control Access Door (see **Section 6.4**)

### Step 1: Remove the wingnut from the air shutter



Figure 18.12.01:

### Step 2: Remove the (2) tek screws securing the burner to the bottom of the firebox.

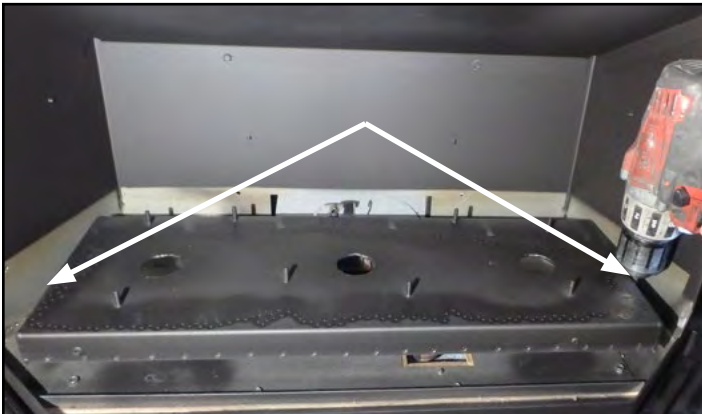


Figure 18.12.02:

### Step 3: Slide the burner to the right and lift to remove.

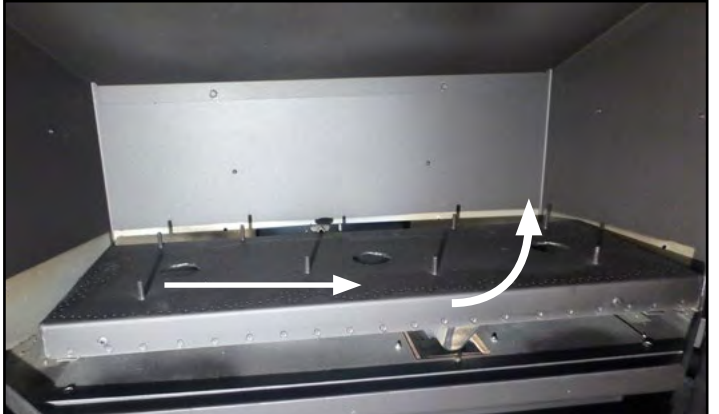


Figure 18.12.03:

### Step 3: Pull the air shutter from the mixing tube on the burner to be used on the new burner.

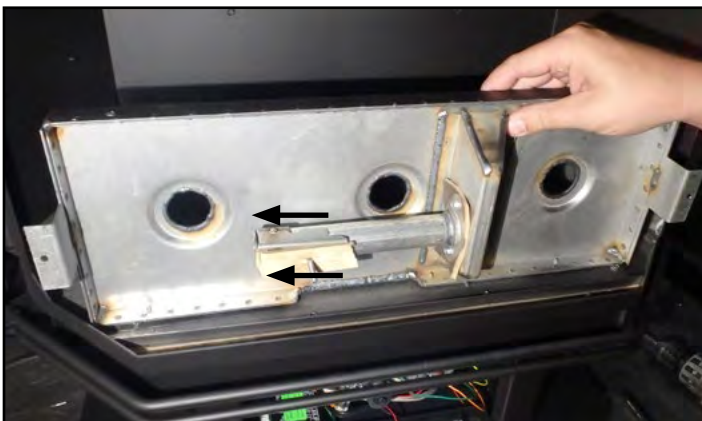


Figure 18.12.03:

Installation is the reverse of removal.  
Check operation of air shutter when reinstalling the burner.  
See **Section 18.5**.

### Final steps:

- Resupply gas to the fireplace
- Resupply power to the fireplace
- Light the fireplace and check for operation and flame appearance. See **Section 17** and **Section 18.5**.



## 18.13 Replacing the Pilot

**CAUTION:** Label all wires prior to disconnection when servicing controls. Wiring errors can cause improper and dangerous operation. Verify proper operation after servicing. This appliance, when installed, must be electrically grounded in accordance with local codes or, in the absence of local codes, with the **National Electrical Code, ANSI/NFPA 70, or the Canadian Electrical code, CSA C22.1.**

### Before you begin:

- Ensure the fireplace is off and cool before servicing
- **Ensure the gas supply is turned OFF and disconnect the power supply (including backup batteries)**
- Open the door with barrier screen (see **Section 6.3**)
- Remove the logset (see **Section 16**)
- Remove the panel set (if installed, see **Section 15**)
- Remove the Burner Surround (see **Section 18.11**)
- Remove the Burner (see **Section 18.12**)
- Open the Control Access Door (see **Section 6.4**)

**Step 1:** Remove the (2) 1/4" tek screws securing the pilot to the pilot extrusion.



Figure 18.13.01:

**Step 3:** Remove the screw securing the ground wire to the pilot.



Figure 18.13.03:

**Step 5:** Installation is the reverse of removal.

Replace the pilot gasket during install if necessary (see **Section 20.0**). Make sure all wires are neat and tidy upon install.

**Step 2:** Use a 1/2" wrench to hold the pilot and a 7/16" wrench to remove the pilot gas line.

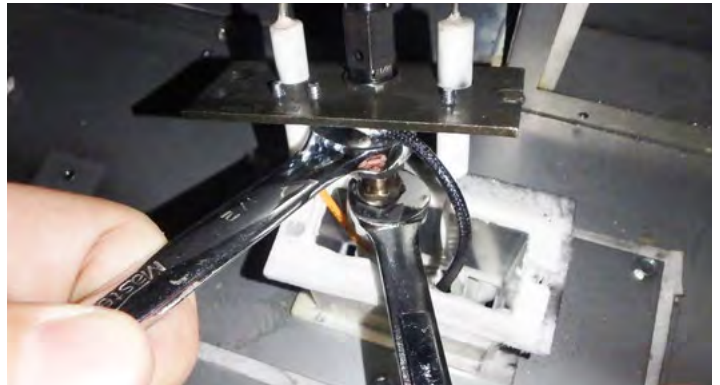


Figure 18.13.02:

**Step 4:** Pull the control board from inside the pedestal. Mark the wires and unplug them from the control board.

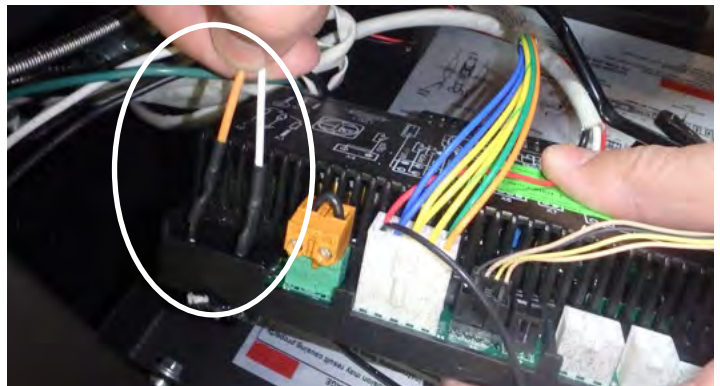


Figure 18.13.04:

### Final steps:

- Resupply gas to the fireplace
- Resupply power to the fireplace
- Light the fireplace and check for gas leaks, fireplace operation, and flame appearance. See **Section 17** and **Section 18.5**.

## 18.14 Replacing the Gas Valve

**CAUTION:** Label all wires prior to disconnection when servicing controls. Wiring errors can cause improper and dangerous operation. Verify proper operation after servicing. This appliance, when installed, must be electrically grounded in accordance with local codes or, in the absence of local codes, with the **National Electrical Code, ANSI/NFPA 70, or the Canadian Electrical code, CSA C22.1.**

**Before you begin:**

- Ensure the fireplace is off and cool before servicing
- **Ensure the gas supply is turned OFF and disconnect the power supply (including backup batteries)**
- Open the Control Access Door (see **Section 6.4**)

**Step 1:** Disconnect the gas supply line from the inlet at the back of the fireplace.

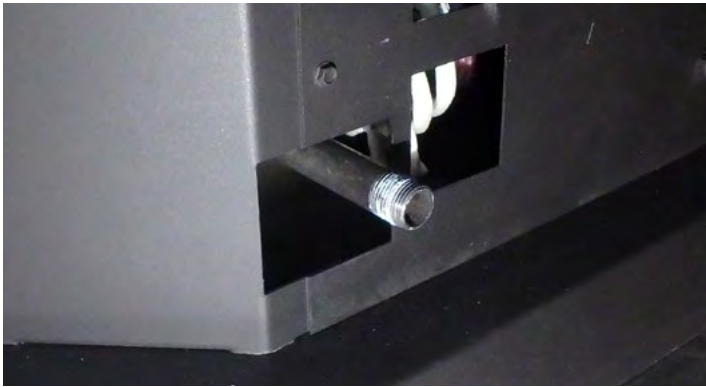


Figure 18.14.01:

**Step 2:** Unplug the colored wires from the valve.

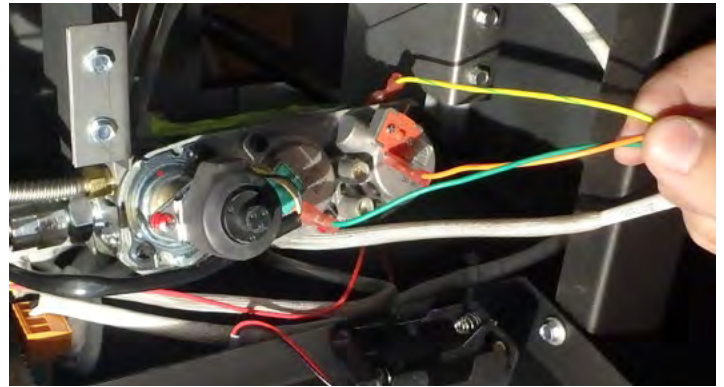


Figure 18.14.02:

**Step 3:** Unplug the valve motor from the control board.



Figure 18.14.03:

**Step 4:** Use a 7/16" wrench to remove the pilot line from the valve.

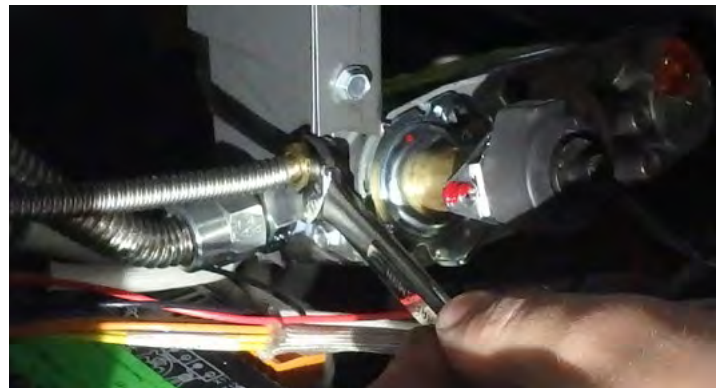


Figure 18.14.04:

# Maintenance

**Step 5:** Use a 3/4" wrench to hold the fitting in the valve. Use a second 3/4" wrench to remove the burner gas line.



Figure 18.14.05:

**Step 6:** Remove the (4) screws securing the valve bracket.

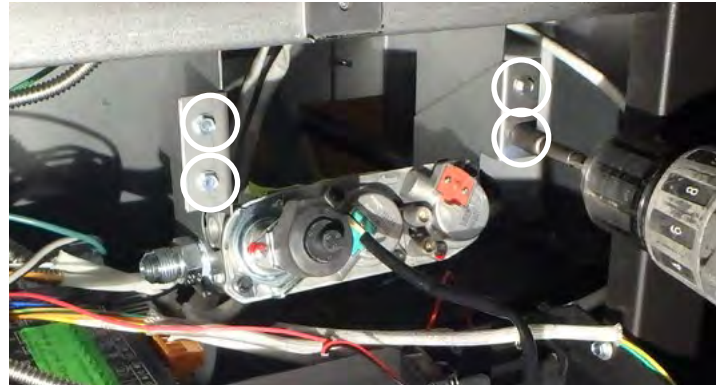


Figure 18.14.06:

**Step 5:** Pull the valve from the pedestal opening. Reuse the brackets and fittings on the new valve.



Figure 18.14.05:

Installation is the reverse of removal.  
Organize wires neatly to avoid pinching or breaking wires during installation.

## Final steps:

- Resupply gas to the fireplace
- Resupply power to the fireplace
- Light the fireplace and check for gas leaks, fireplace operation, and flame appearance. See **Section 17** and **Section 18.5**.

## 18.15 Replacing the Fan

**CAUTION:** Label all wires prior to disconnection when servicing controls. Wiring errors can cause improper and dangerous operation. Verify proper operation after servicing. This appliance, when installed, must be electrically grounded in accordance with local codes or, in the absence of local codes, with the **National Electrical Code, ANSI/NFPA 70, or the Canadian Electrical code, CSA C22.1.**

### Before you begin:

- Ensure the fireplace is off and cool before servicing
- **Ensure the gas supply is turned OFF and disconnect the power supply (including backup batteries)**
- Open the Control Access Door (see **Section 6.4**)

**Step 1:** Unplug the fan wires from the control board.



Figure 18.15.01:

**Step 2:** Remove the (5) 1/4" tek screws securing the fan bracket to the back of the fireplace.



Figure 18.15.02:

**Step 3:** Pull the fan from the back of the fireplace.



Figure 18.15.03:

**Step 4:** Carefully route the fan wire up through the opening in the bottom of the fireplace.



Figure 18.15.04:

# Maintenance

**Step 5:** Remove the (3) 1/4" tek screws securing the fan to the fan mounting bracket.



Figure 18.15.05:

**Step 6:** Remove the (2) 1/4" tek screws securing the fan shield to the fan.



Figure 18.15.06:

**Step 6:** Unplug the wires from the fan.

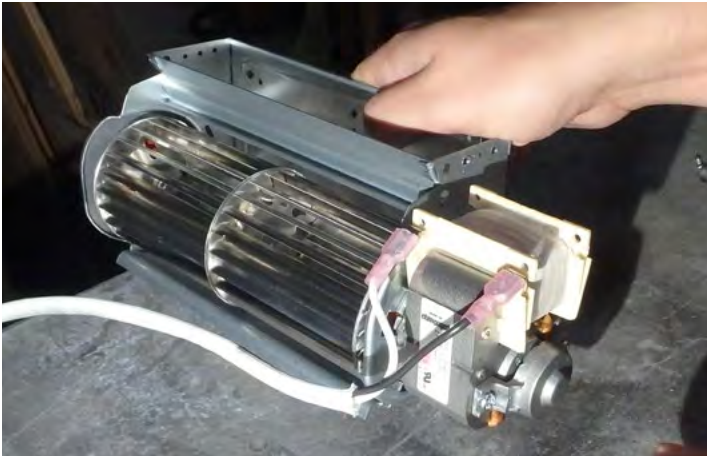


Figure 18.15.06:

Installation is the reverse of removal.  
Organize wires neatly to avoid pinching or breaking wires during installation.

**Final steps:**

- Resupply gas to the fireplace
- Resupply power to the fireplace
- Light the fireplace and check for fan operation and flame appearance. See **Section 17** and **Section 18.5**.

## 18.16 Replacing the Grills

### Before you begin:

- Ensure the fireplace is off and cool before servicing
- **Ensure the gas supply is turned OFF and disconnect the power supply (including backup batteries)**
- Open the Side Doors (see **Section 6.4**)

**Step 1:** Remove the (4) 1/4" tek screws securing upper and lower grills at each side.

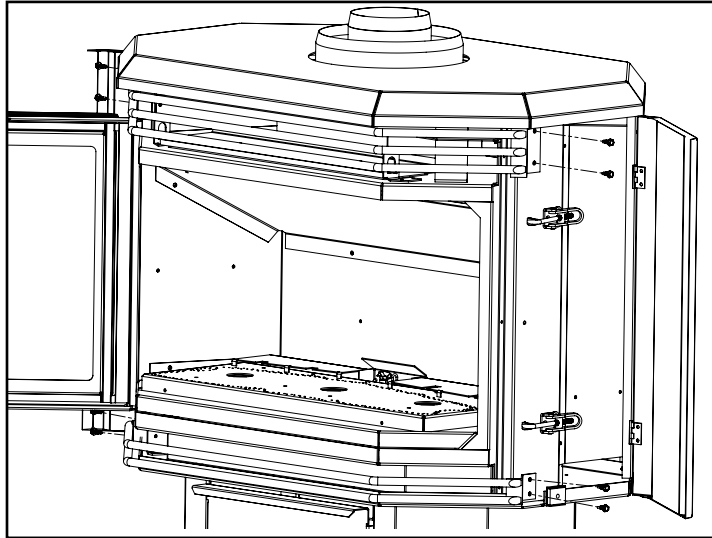


Figure 18.16.01:

**Step 2:** Pull the grills away from the front of the fireplace.

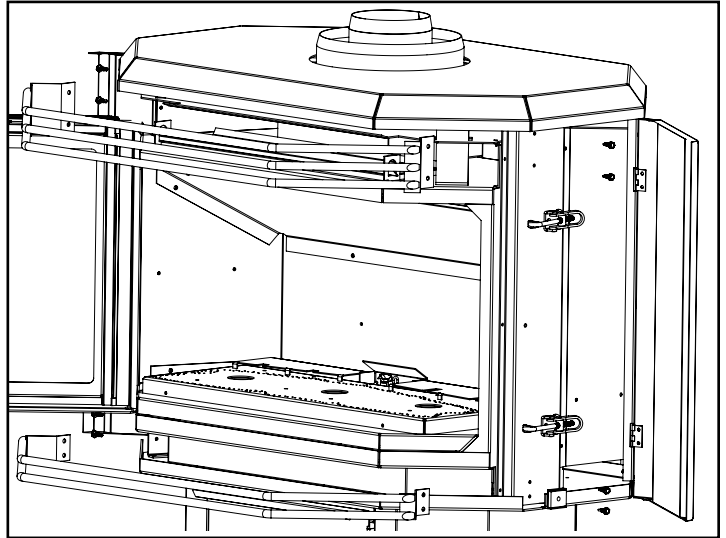


Figure 18.16.02:

Installation is the reverse of removal.

# Maintenance

## 18.17 Troubleshooting

| Issue   | Solution  |
|---|---|
| The pilot igniter won't spark.  | <ol style="list-style-type: none"> <li>1. Ensure the ON/OFF override jumper is installed correctly.</li> <li>2. Ensure main power is ON and new batteries are installed in the remote control (3 x AAA) and backup battery pack on the control board (4 x AA).</li> <li>3. Make sure remote is synced with control board.</li> <li>4. Check the 3.15A fuse in the control board. Replace the fuse if necessary.</li> <li>5. Make sure remote is not in smart or thermostat mode.</li> <li>6. Ensure igniter wire is connected to the control board and is not damaged.</li> </ol>   |
| The pilot igniter sparking, but the pilot will not light.                             | <ol style="list-style-type: none"> <li>1. Verify the inlet gas pressure is within acceptable limits.</li> <li>2. Check all connections to the gas valve.</li> <li>3. Ensure fuel supply valves and emergency shut-off valve are open.</li> <li>4. Check wiring connections from control board to valve.</li> <li>5. Check that the pilot is set to the correct fuel.</li> <li>6. Ensure pilot head is clear of debris.</li> </ol>   |
| The pilot lights, but the main burner will not light.                                 | <ol style="list-style-type: none"> <li>1. Check and verify all wiring connections match the wiring diagram.</li> <li>2. Verify the inlet and manifold pressure are within acceptable limits.</li> </ol>   |
| The pilot lights, but the main burner will not light and igniter continues to spark.  | <ol style="list-style-type: none"> <li>1. Check the pilot flame sensor rod and clean with steel wool or similar if dirty.</li> <li>2. Check the pilot hood and clean with steel wool if dirty.</li> <li>3. Ensure the flame sensor wire is plugged into the control board and is not damaged.</li> <li>4. Adjust pilot flame using the pilot adjustment screw if the pilot flame is too long or too short (the flame should fully engulf the sensor rod and must be stable).</li> <li>5. Check supply pressure.</li> <li>6. Ensure the ground wire from the pilot is connected to the fireplace ground location.</li> </ol> |
| The pilot was lit but will randomly go out.   | <ol style="list-style-type: none"> <li>1. Turn the fireplace on again. If the fireplace is in continuous pilot on demand ignition mode, the system will turn off the pilot if the fireplace has not been used for seven days. You may also switch the fireplace to IPI mode (See <b>Section 19.5</b>).</li> <li>2. Have a service technician check for low inlet pressure.</li> </ol>   |
| The flames on the main burner are low even though the remote is on high.              | <ol style="list-style-type: none"> <li>1. Wait two minutes. Dynamic Start Advantage is designed to build a draft by starting on low and automatically increasing the flame size to the setting on the remote after two minutes. This system helps to create a better flame appearance, reduce condensation on the glass, and provide years of carefree operation.</li> <li>2. Have a service technician check for low inlet pressure.</li> <li>3. Replace the valve motor.</li> </ol>   |
| Fans do not work.   | <ol style="list-style-type: none"> <li>1. Ensure main power is ON and the fireplace is plugged in (the fireplace may be operating on back up batteries).</li> <li>2. Check the 3.15A fuse in the control board and replace if necessary.</li> <li>3. Ensure the fans are connected to the control board.</li> </ol>   |
| Control module beeps twice when On/Off button on remote is pressed and Red LED is On. | <ol style="list-style-type: none"> <li>1. Replace batteries in remote battery pack.</li> </ol>  |

**All service and repairs should be performed by a qualified and licensed service technician.**

## 19.0 Frequently Asked Questions

Listed below are some frequently asked questions regarding Archgard Gas Fireplaces. If you have questions that are not listed below, or are not answered in this manual, please contact your Authorized Archgard Dealer.

Q. My glass has a condensation “fog” when the appliance is first lit.

A. Condensation is normal and will disappear in a few minutes after the glass is heated. This can be reduced if the appliance is left in CPI mode.

Q. I have a white “film” on my glass. What is the best way to clean the inside of the glass.

A. Frequent cleaning of your glass is recommended. The white film cannot be removed using standard household glass cleaner. We recommend using a good quality, ammonia-free gas fireplace glass cleaner which is available at all authorized Archgard dealers. Do not use abrasive materials, and do not clean the glass or the appliance when the unit is hot. Never use ammonia based cleaners to clean the glass door.

Q. How do I care for my plated trims.

A. We recommend a cleaning with a damp cloth. DO NOT use chemical cleaners as they may harm the finish, and void your warranty. **NOTE:** If the top louvers, or top overlay starts to discolor, check the glass door gasket seal and contact your local Archgard dealer to replace if necessary.

Q. My fan/blower makes a “whirring” or “humming” noise.

A. Your Archgard gas appliance uses a powerful fan to push heated air into your room. It is not unusual to hear a “humming” noise when your fan is running. Note: the sound will change depending on the setting that your fan speed control is set at.

Q. I hear a “ticking”, “cracking” or “pinging” sound when my fireplace is running, and after it is turned off.

A. The different gauges of steel used to manufacture your fireplace will expand and contract at different rates when your fireplace is on, and will continued as your fireplace completes its heating function. You will likely hear these same sounds more on start up and shut down. This is normal for steel fireplaces.

Q. I hear a “click” when my main burner turns ON or OFF.

A. Your Gas Control Valve will make a clicking sound when it opens to allow gas to flow to the main burner. This is a normal part of the operating system.

Q. Can I burn wood and other materials in my gas fireplace.

A. No! Burning anything other than the fuel (natural gas or propane) the fireplace is setup for will create a potential fire hazard and present a danger to your home and its occupants and possibly void your manufacturer's warranty. Only burn the gas fuel for which the unit was originally designed.

Q. Can I shut my pilot off in the summer?

A. You will save energy by turning off the pilot light if you are not using your appliance for the hot summer months. When in continuous pilot ignition on demand (CPI) mode the pilot will remain lit for seven days after the fireplace is used. When seven days have passed the system will turn the pilot off. When in IPI mode, the pilot will only remain on when the main burner is on.

Q. Why does my fireplace start with a low flame? Shouldn't the flame size match the remote setting?

A. Dynamic Start Advantage was designed to create a draft by starting the fireplace on low and automatically increasing the flame to match the remote setting after two minutes. This system helps to create a better flame appearance, reduce condensation on the glass, and provide years of carefree operation.

Q. Can I position my logs in a different fashion or use a different log set?

A. No. Your gas fireplace is an engineered system that includes the firebox, burner, logs, venting and options which are tested and listed with a certification agency. Changing any specifications or placement of the logs could cause injury or damage, void your manufacturer's warranty, and possibly even your homeowner's warranty. Use only burner media that is approved for this fireplace. Contact your local Archgard dealer for information on burner media that is approved for this model.



## 20.0 Replacement Parts List

| Item #       | Item Description  | Unit |
|--------------|---|------|
| 200-0018-02  | English Owner's Manual  | EA   |
| 200-0018F-02 | French Owner's Manual   | EA   |
| RP-845-0160  | Replacement Manual Package  | EA   |
|              |   |      |
| 45-BS-1      | Barrier Screen  | EA   |
| 308-6060     | SIT Proflame II Dynamic Start Advantage with Continuous Pilot on Demand | EA   |
| 308-6024     | Wall Mount Remote   | EA   |
| 308-6017     | SIT 885 Gas Valve c/w Step Motor  | EA   |
| 305-6002-R1  | Module Main Wiring Harness (5 wire)                                     | EA   |
| 305-6013     | Valve Wiring Harness (4 wire)   | EA   |
| 305-0060     | Battery Back-up   | EA   |
| RP-305-2080  | Fuse, 3.15A, 250V (Pack of 5)   | EA   |
|              |   |      |
| 301-0068-38  | Orifice - #38 DMS (2.59 mm) for Natural Gas                             | EA   |
| 301-0068-52  | Orifice - #52 DMS (1.60 mm) for Propane                                 | EA   |
|              |   |      |
| 308-0124     | Pilot Assembly  | EA   |
| 314-0139     | Pilot Gasket  | EA   |
| 301-6239     | Pilot Gas Line  | EA   |
| RP-845-0040  | Burner Assembly - Log Burner  | EA   |
|              |   |      |
| 45-CKENG     | Conversion Kit LP to NG   | EA   |
| 45-CKELP     | Conversion Kit NG to LP   | EA   |
|              |   |      |
| 45-BRPL-QCR  | Quebec City Red Brick Panel Set   | SET  |
| 45-BRPL-QCG  | Quebec Cit Grey Brick Panel Set   | SET  |
| 45-BRPL-RG   | Eternal Flame Reflective Glass Panel Set                                | SET  |
| 45-GRBN      | Decorative Grill Brushed Nickel   | SET  |
| 45-GRGP      | Decorative Grill Gold Plated  | SET  |
|              |   |      |
| RF-305-0024  | Replacement Fan   | EA   |
|              |   |      |
| 310-6450     | High Definition Log Set c/w black embers                                | SET  |
| RP-845-0000  | Complete Replacement Glass Door Assembly.                               | EA   |

POSTAGE

# WARRANTY REGISTRATION

ARCHGARD INDUSTRIES LTD.  
7116 BEATTY DRIVE  
MISSION, B.C. CANADA  
V2V 6B4

CUT ALONG LINE

FOLD DOWN AT LINE

CUT ALONG LINE

FOLD DOWN AT LINE & TAPE CLOSED

Model # : 45-DVFE28LN-1 Serial #: \_\_\_\_\_ Date Installed: \_\_\_\_\_ / \_\_\_\_\_ / \_\_\_\_\_

Name: \_\_\_\_\_ Address: \_\_\_\_\_

City: \_\_\_\_\_ State/Prov: \_\_\_\_\_ ZIP: \_\_\_\_\_ Phone: ( \_\_\_\_\_ ) \_\_\_\_\_

Dealer's Name & Address: \_\_\_\_\_

City: \_\_\_\_\_ State/Prov: \_\_\_\_\_ ZIP: \_\_\_\_\_ Phone: ( \_\_\_\_\_ ) \_\_\_\_\_

Installer's Name & Address: \_\_\_\_\_

City: \_\_\_\_\_ State/Prov: \_\_\_\_\_ ZIP: \_\_\_\_\_ Phone: ( \_\_\_\_\_ ) \_\_\_\_\_

Why did you choose this product? \_\_\_\_\_

CUT ALONG LINE

*Thank you for purchasing our product and filling out this warranty card. Save time by completing this form at [www.archgard.com/warranty-registration](http://www.archgard.com/warranty-registration)*

# Archgard Limited Warranty

This Limited Warranty is made by ARCHGARD INDUSTRIES LTD., hereinafter referred to as “Archgard”. Archgard warrants to the original purchaser of an Archgard gas burning fireplace(s) that the product will be free from defects in materials and workmanship under normal use and service, for a “lifetime”. All warranty repairs are to be performed by an authorized Archgard Dealer during the warranty period. Other repair / service company charges for any work done during the warranty period, will be the responsibility of the home owner.

## **INCLUSIONS: “LIFETIME LIMITED WARRANTY”**

- All heat exchangers and combustion chamber
- Ceramic Fiber Logs and Ceramic Brick Panels, against splitting and cracking due to heat exposure

**NOTE:** Discoloration and some minor movement including warping of certain parts are normal and are not a defect; therefore, not covered under warranty.

## **INCLUSIONS: “TEN YEAR LIMITED WARRANTY”**

- Burner tubes and pans

## **INCLUSIONS: “TWO YEAR LIMITED WARRANTY”**

- Ceramic Glass against thermal breakage
- Trims and accessories from splitting or separating
- Electronic Control Module, Remote Transmitter

The above will be covered under “Parts & Labour” to the original purchaser for one (1) year and “Parts Only” thereafter from original date of purchase.

## **INCLUSIONS: “ONE YEAR LIMITED WARRANTY”**

- Blowers, fans and fan motors, wiring, rheostats and thermostats
- Rocker switches, spill switches and wiring to them
- Gas control valves, pilot assemblies including thermopiles, thermocouples, electrodes and igniters
- Paint peeling or cracking

The above will be covered under “Parts & Labour” to the original purchaser for one (1) year from date of purchase.

## **WHAT TO DO IN THE EVENT OF A PROBLEM:**

- Thoroughly read your “Owner’s Installation, Operation & Maintenance Manual”
- If you cannot solve the problem, contact your Archgard dealer or representative
- When calling for assistance, please have the following information:
  - **Model of your fireplace**
  - **Serial Number**
  - **Place of Purchase**
  - **Date of Purchase**
  - **Problem Description**

**NOTE:** Warranty will be void if work is carried out by an unqualified person(s). Only original Archgard parts may be used. Please consult your Archgard dealer or representative if in doubt about a replacement part(s).

- All warranty repairs are to be performed by an authorized Archgard Dealer during the warranty period. Other repair / service company charges for any work done during the warranty period, will be the responsibility of the home owner.

## **OBTAINING WARRANTY SERVICE:**

The original purchaser shall return the defective part(s) to the original authorized Archgard dealer – transaction prepaid, along with the serial number of the appliance and original proof of purchase. Any defective part, in our judgment, will be repaired or replaced at Archgard’s discretion. The dealer must obtain approval from Archgard before any repairs are made.

## **WARRANTY LIMITATION:**

THIS LIMITED WARRANTY IS MADE IN LIEU OF ALL OTHER WARRANTIES, EXPRESSED OR IMPLIED AS TO QUALITY, MERCHANTABILITY OR FITNESS FOR PARTICULAR PURPOSE.

The appliance is only warranted for the use as intended by the installation and operating instructions and local building codes. The warranty will not cover damage due to accident, misuse, abuse, alteration, improper installation or “Acts of God”. This limited warranty is void unless the appliance is installed by a qualified Archgard installer, in accordance with the instructions furnished with the appliance. Some Provinces or States do not allow limitations on how long an implied warranty lasts, so the above limitations may not apply to the original purchaser. Any damage resulting from defects in this product is limited to the replacement of the defective part(s) and does not include incidental and consequential exposures sustained in connection with the product. This includes facing(s), mantle(s), cabinet(s), tile(s) or any other finishes resulting from removal of any gas appliance. This warranty is limited to residential use only and gives the consumer specific rights. These rights may vary from State to State or Province to Province.

## **WARRANTY CONDITIONS & REQUIREMENTS:**

1. You are the original purchaser – this warranty is not transferable.
2. Installation of the fireplace must be performed by a qualified Archgard installer.
3. Installation and operation must comply with the installation and operation instructions.
4. All optional accessories are covered for one (1) year from the date of purchase.
5. This warranty does not offer coverage for light bulbs or batteries (whether factory, dealer, or installer supplied). This includes any damage stemming from non-use.
6. Damage during shipping or handling of components, defects resulting from improper installation or service, or misuse of the fireplace or fireplace components are not covered under this warranty.
7. This warranty does not cover any part of the fireplace or any component which has been exposed to or submerged under water.
8. Archgard must be notified by the dealer the fireplace was purchased from or a qualified Archgard technician of the defect.
9. Annual service of the fireplace as required in the installation manual must be performed by a qualified Archgard technician (service records may be required to claim a warranty).
10. All previous warranty service must have been performed by a qualified Archgard technician (service records may be required to claim a warranty).
11. Travel time or mileage to the original purchaser’s residences is not covered under this warranty. We suggest that you pre-arrange travel expenses with your Authorized Archgard Dealer.

**ARCHGARD INDUSTRIES LTD.**

7116 BEATTY DRIVE  
MISSION, B.C. V2V 6B4  
CANADA

WEBSITE: [WWW.ARCHGARD.COM](http://WWW.ARCHGARD.COM)