

TECHNICAL SPECIFICATIONS

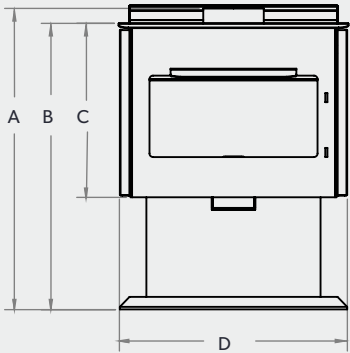
	Chalet 1600	Chalet 1800
Width & Depth	23-3/4" x 22-3/4" (603 mm x 578 mm)	23-3/4" x 27-1/16" (603 mm x 687 mm)
Height with pedestal	28 5/8" (575 mm)	30-3/8" (771 mm)
Height with legs	29 5/8" (752 mm)	31-3/8" (797 mm)
Cubic size of firebox	1.7 CUFT.	2.5 CUFT.
EPA Emission	2.88 grams/hr	3.6 grams/hr
Seasoned cordwood rating	65,000 BTU (19,049 kW)	78,000 BTU (22,860 kW)
Approximate heating area	800 - 1500 sq feet 74.3 - 139.4 sq metres	1000 - 2000 sq feet 92.8 - 185.6 sq metres
Log length	18"	18"
Stove body weight with pedestal and door	300 lb (136 kg)	395 lb (180 kg)
Duration of low fire	6 - 10 hrs	8 - 12 hrs
Optional Fan	150 CFM	150 CFM
Fresh Air Adaptor*	Optional	



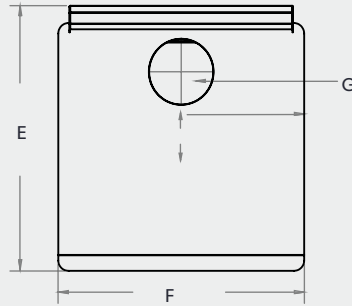
*Required in a mobile house.

Tested and approved to Canadian and American Standards. ANSI Z21.88B-2014/CSA 2.33B-2014 and CAN/CGA-2.17-M91
 *All fireplaces come standard with barrier screens which attach to the door with very little effort.

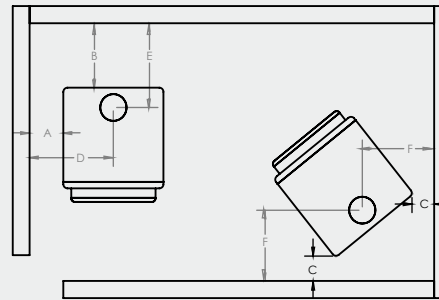
Front view
Chalet 1600 & 1800



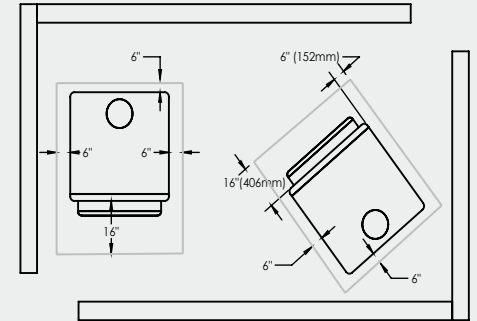
Top view
Chalet 1600 & 1800



Residential installation using single wall connector



Floor protection requirement. Measurements for U.S. are 6' (152 mm) sides, rear and 16" (406 mm) in front of door opening.*

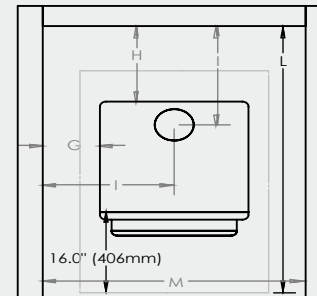


*Measurements for Canada are 8' (203 mm) sides, rear and 18" (457 mm) in front of door opening.

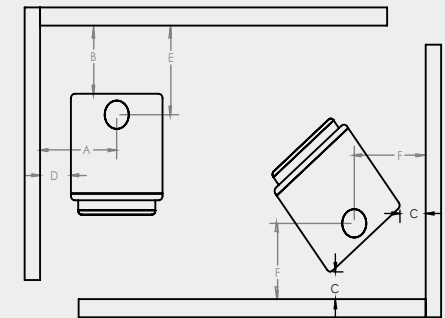
	HEATER (1600)	FLUE CENTRE LINE (1600)	HEATER (1800)	FLUE CENTRE LINE (1800)
Residential Installation using single wall connector				
Sidewall	(A) 14" (356 mm)	(D) 26" (660 mm)	(A) 16" (406 mm)	(D) 28" (711 mm)
Corner	(B) 11" (279 mm)	(E) 17" (432 mm)	(B) 16" (406 mm)	(E) 21" (533 mm)
Backwall	(C) 9" (229 mm)	(F) 19" (483 mm)	(C) 11" (279 mm)	(F) 23" (584 mm)
Residential Installation using double wall connector - Mobile home				
Sidewall	(A) 11" (279 mm)	(D) 23" (584 mm)	(A) 16" (406 mm)	(D) 28" (711 mm)
Corner	(B) 8" (203 mm)	(E) 14" (356 mm)	(B) 8" (203 mm)	(E) 12.25" (311 mm)
Backwall	(C) 8" (203 mm)	(F) 18" (457 mm)	(C) 11" (279 mm)	(F) 23" (584 mm)
Residential Installation using double wall connector - Residential Close Clearance				
Sidewall	(A) 11" (279 mm)	(D) 23" (584 mm)	(A) 16" (406 mm)	(D) 28" (711 mm)
Corner	(B) 8" (203 mm)	(E) 14" (356 mm)	(B) 8" (203 mm)	(E) 12.25" (311 mm)
Backwall	(C) 8" (203 mm)	(F) 18" (457 mm)	(C) 11" (279 mm)	(F) 23" (584 mm)
Residential Installation using double wall connector - ALCOVE				
Sidewall	(G) 13" (300 mm)	(I) 25" (635 mm)	(G) 16" (406 mm)	(I) 28" (711 mm)
Corner	(H) 9" (229 mm)	(J) 15" (381 mm)	(H) 8" (203 mm)	(J) 12.25" (311 mm)
Minimum alcove ceiling height: 83" (2.108 m) Chalet 1600 -- 68" (1.73m) Chalet 1800 Maximum alcove depth: 36" Chalet (1600/1800)				

TESTED AND APPROVED TO NORTH AMERICA STANDARD UL 1482-96/JULC s625-00

Installation using double wall connector - ALCOVE



Installation using listed double wall connector - mobile home, residential class clearance



Front and Top View
Chalet 1600 & 1800 Pedestal Model

	Chalet 1600	Chalet 1800
A	28-5/8" (727 mm)	30-5/16" (786 mm)
B	27-3/8" (696 mm)	29-5/8" (752 mm)
C	15-7/8" (403 mm)	18-1/8" (460 mm)
D	23-3/4" (603 mm)	23-3/4" (603 mm)
E	22-3/4" (578 mm)	27-1/16" (687 mm)
F	23-3/4" (604 mm)	23-3/4" (604 mm)
G	6-5/6" (160 mm)	6-5/6" (160 mm)

Note: Adding legs is 1" taller.