

Archgard

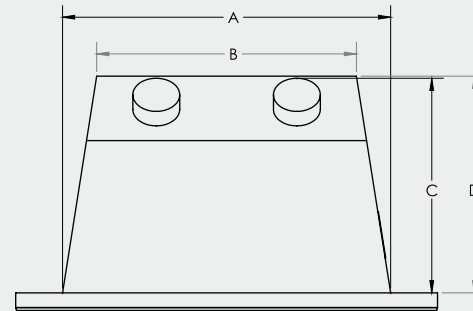
FIREPLACES

TECHNICAL SPECIFICATIONS

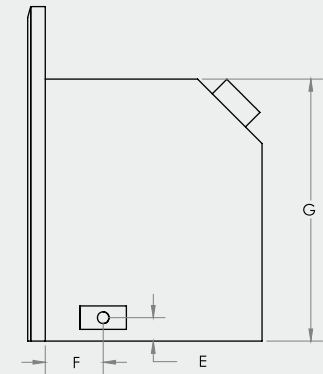
34 DVI34N	
Natural Gas Input Rating	23,000-34,000 BTU/hr 6.74-9.96 kW/hr
Propane Input Rating	26,000-34,000 BTU/hr 7.61-9.96 kW/hr
Efficiencies	
Steady State	84%
AFUE Efficiency	74%
P4	53.39%
Clearance to Combustibles	
Mantle Clearance	37" from bottom of unit to bottom of 6" mantle
Surround Side Clearance	1"
Minimum Fireplace Opening Dimensions	
	27" W x 20" H x 15.1/4" D*
*Add 2" H x 5" W x 1.5" D when using Forged Iron Front	
Viewing Area	26" W x 12.5" H
Vent Size	Two 3" (76mm) vents

TECHNICAL DIMENSIONS

TOP VIEW



SIDE VIEW



34 DVI34N

A	B	C	D
25-5/8"	16"	14"	14-1/8"
651mm	406mm	356mm	359mm
E	F	G	
1-1/4"	3-3/4"	19-7/8"	
32mm	93mm	505mm	



*See Installation, Maintenance, and Operation manual for further information and specifications.

** All inserts come standard with barrier screens which attach to the door with very little effort.