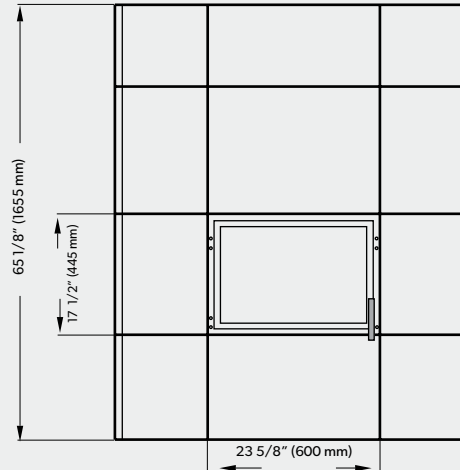
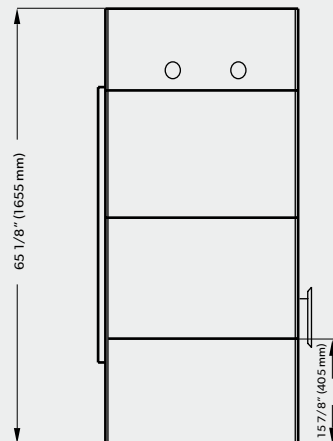
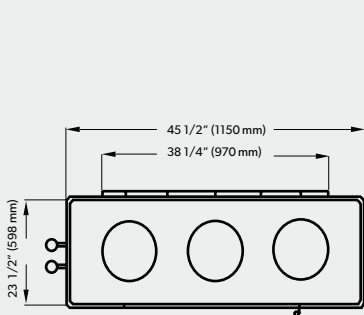


TECHNICAL SPECIFICATIONS

	Salzburg XL	Salzburg XL +1	Salzburg XL +2
BTU's hours	8.8 KW/ 30,000 BTU's	9.7 KW/ 33,000 BTU's	10.6 KW/ 36,000 BTU's
Height	65 1/8" (1655mm)	80 1/8" (2035mm)	95 1/8" (2450mm)
Width	45 1/84" (1150mm)	45 1/84" (1150mm)	45 1/84" (1150mm)
Depth	23 1/2" (598mm)	23 1/2" (598mm)	23 1/2" (598mm)
Weight	1330 kg/ 2,932 lb	1672kg/ 3,686 lb	2014kg/ 4,440 lb
Efficiency	88%	90.0%	92%
Viewing Area	19 3/4" (502mm) W x 13 3/4" (349 mm) H	19 3/4" (502mm) W x 13 3/4" (349 mm) H	19 3/4" (502mm) W x 13 3/4" (349 mm) H

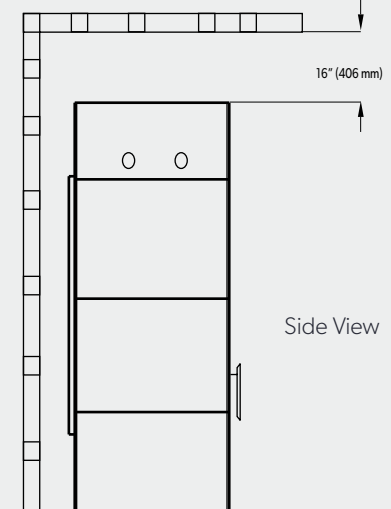
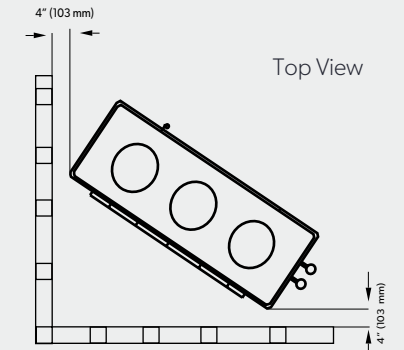
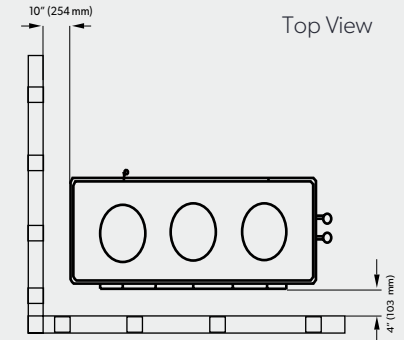
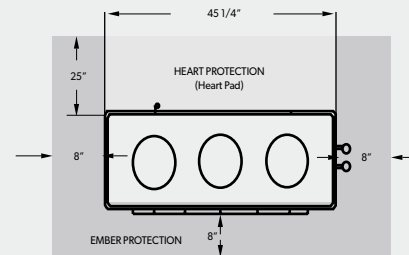
Maximum length of wood logs: 20 inches

SALZBURG XL DIMENSIONS



SALZBURG XL, XL+1 and XL+2 CLEARANCES

FLOOR PROTECTION



* See the manual for more information.