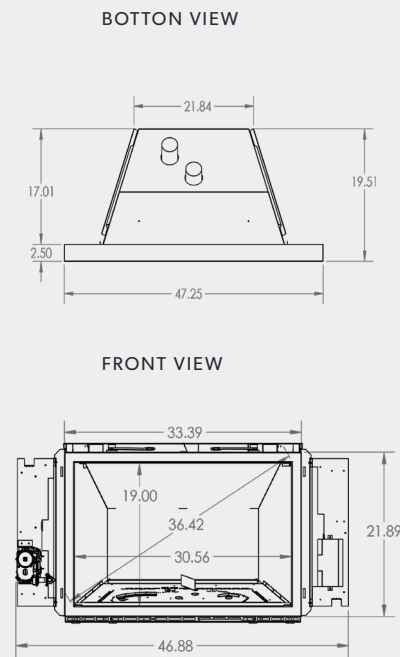


TECHNICAL SPECIFICATIONS

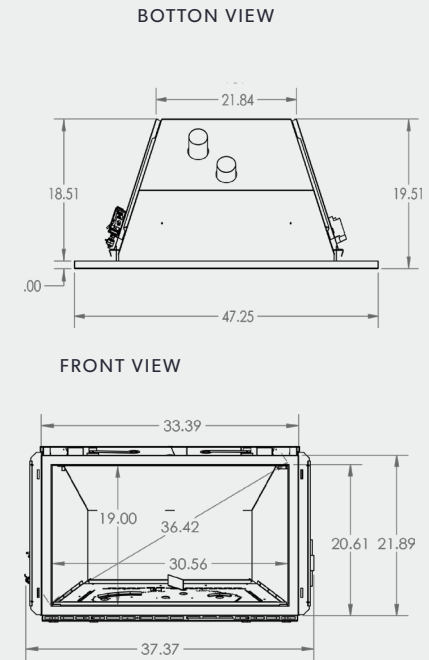
36 DVIE40LN	
Valve Type	Electronic Ignition
Natural Gas Input Rating	22,000-40,000 BTU/hr 6.45-11.72 KW/hr
Propane Input Rating	20,000-40,000 BTU/hr 5.86-11.72 KW/hr
Efficiencies	
Steady State	79.10%
P4	76.95%
Standard Features	
Electronic Ignition	Spark-to-pilot ignition with battery backup and continuous pilot option for standing pilot applications
Remote Control	Multi-function remote control system c/w smart thermostat
Convection Fan	High efficiency six speed heat distribution fans
Glass Type	Ceramic
Viewing Area	30.56"W x 19"H - 36.42" diagonal
Vent Size	Dual 3" (76mm) co-linear vents exit top of unit
Burner Type	Panoramic wall to wall steel pan
Firebox Construction	Welded, rivet and gasket, silicone free
Warranty	Elite Limited Lifetime
Clearance to Combustibles	
Mantle Clearance	44.79" from bottom of unit to bottom of 12" mantel
Surround Side Clearance	8"
Minimum Fireplace Opening*	
"Controls out": Controls mounted in forward position for deep surround and surround doors	36.25" W x 24" H x 17" D
"Controls in": Controls mounted for shallow surround or inside fit	37.87" W x 24" H x 18.5" D

TECHNICAL DIMENSIONS

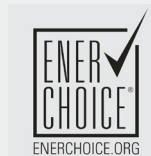
CONTROLS OUT CONFIGURATION



CONTROLS IN CONFIGURATION



SIDE VIEW



ENERGUIDE
RATING SYSTEM

*See Installation, Maintenance, and Operation manual for further information and specifications.

** All inserts come standard with barrier screens which attach to the door with very little effort.